

Locking pin for ball lock bushes

Item description/product images



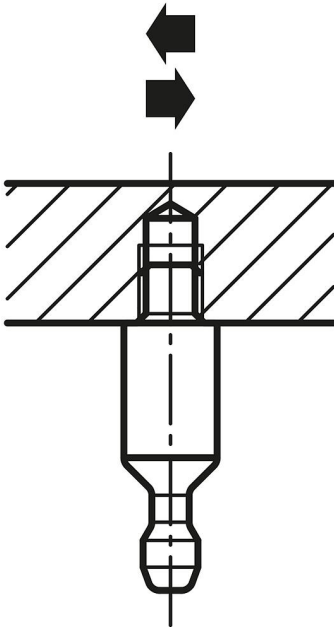
Description

Material:
Steel.

Version:
Bright.

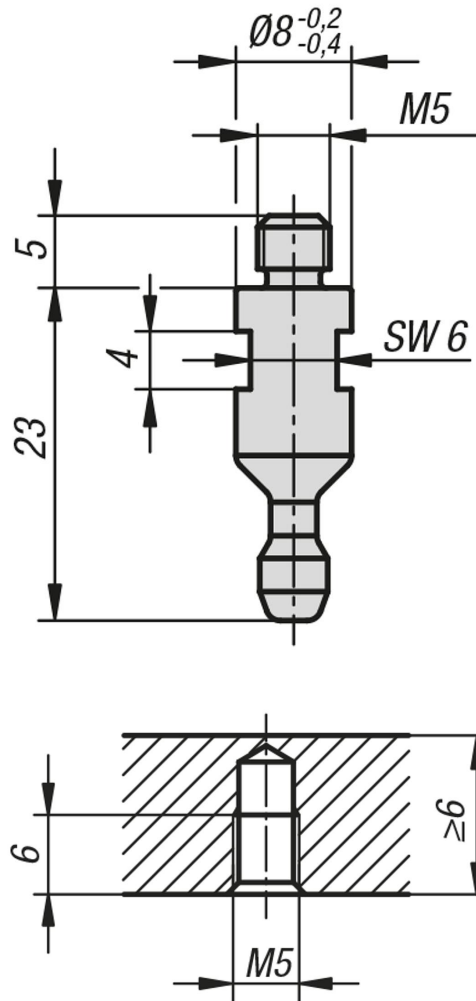
Note:
Repeat accuracy ± 0.25 .
The repeat accuracy can be increased with the aid of locating pins.

shear force



Locking pin for ball lock bushes

Drawings



Overview of items

Locking pin for ball lock bushes

Order No.	Shearing force kN	Temperature resistance
K1067.8	1,8	≤180 °C