

Clamping pins

Item description/product images



Description

Material:

Carbon steel.

Version:

Pins tempered and ground.

Knurled knob tempered, black oxidised.

Note:

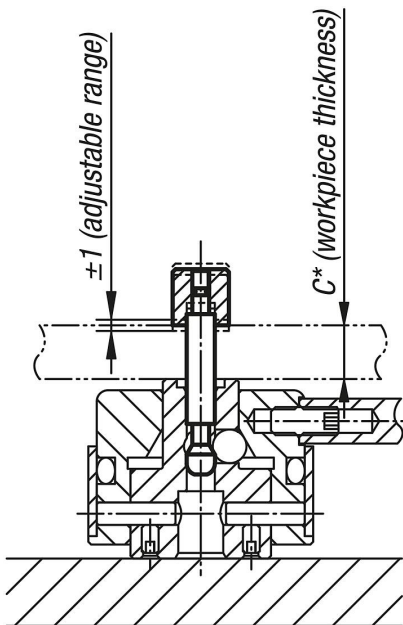
* The clamping pin can be altered to suit the workpiece thickness.

Accessory:

to:

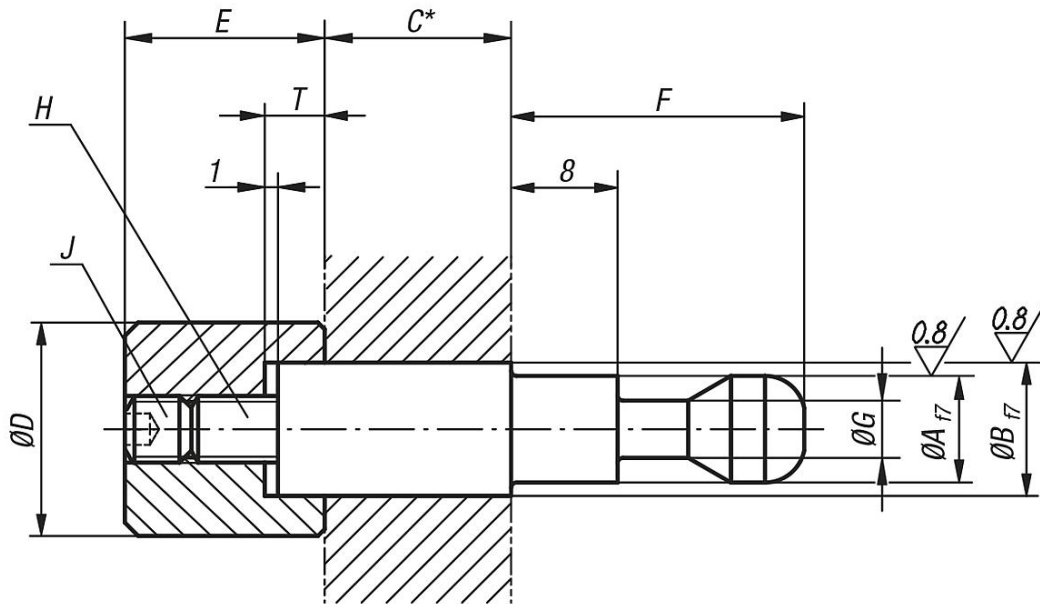
K0910.3240... (K0910.005050 and K0910.006050),

K0910.4050... (K0910.008080 and K0910.010080)



Clamping pins

Drawings



Overview of items

Clamping pins

Order No.	A	B	C	D	E	F	G	H	J	T
K0910.005050	5	5	50	10	10	17	3	M3	M3x4	3
K0910.006050	5	6	50	10	10	17	3	M3	M3x4	3
K0910.008080	8	8	80	16	15	22	4,3	M5	M5x5	4,5
K0910.010080	8	10	80	16	15	22	4,3	M5	M5x5	4,5