

Pull clamps (high force)

Item description/product images



Description

Material:

Housing, clamping ring and handles, carbon steel.

Grip thermoset PF 31.

Version:

Housing and clamping ring hardened and black oxidised.

Handles black oxidised.

Grip black.

Note:

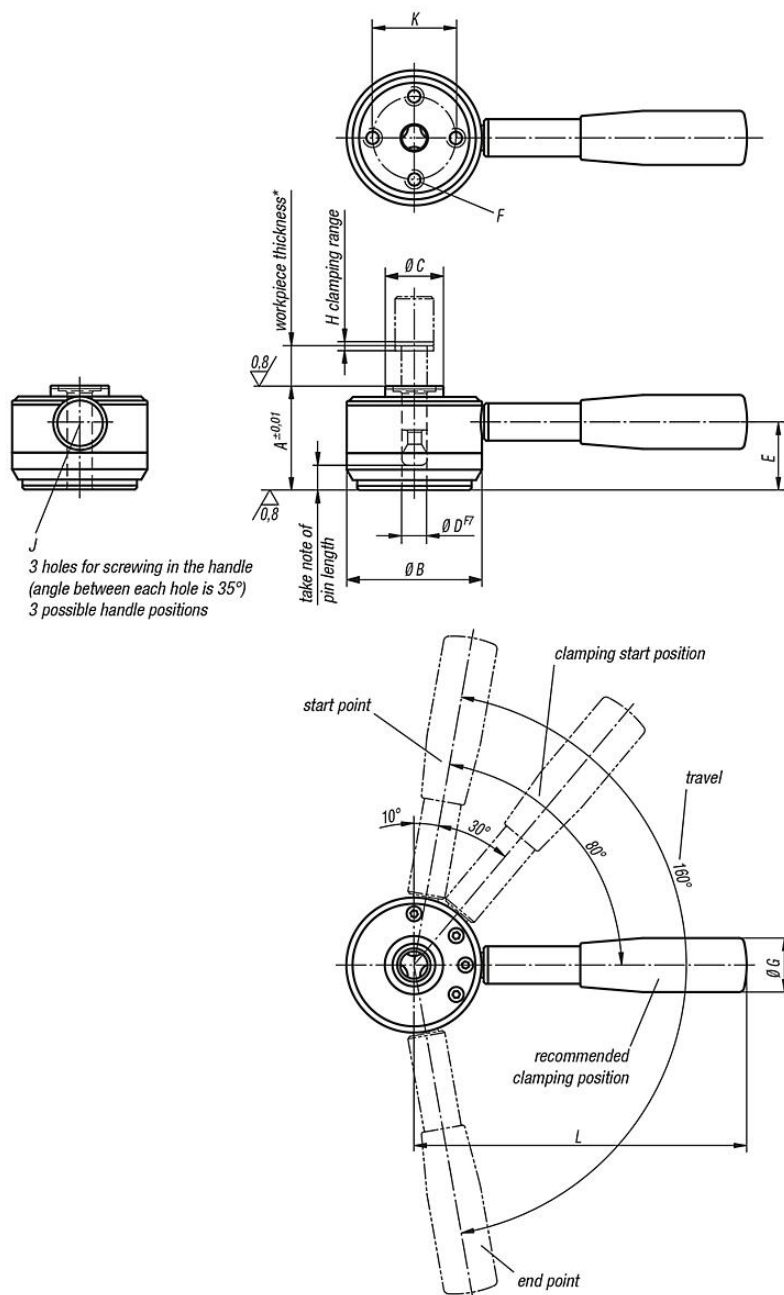
When clamping with a high force clamping pin the recommended workpiece tolerances must be maintained. The grip lever must lay between the recommended clamping position and end point for safe clamping.

* Max. workpiece thickness, see clamping pin K0911 (dimension C).

** Admissible hand force for the handle.

Pull clamps (high force)

Drawings



Overview of items

Pull clamps (high force)

Order No.	A	B	C	D	E	F	G	H	J	K	L	Clamping force N	Recommended workpiece thickness tolerance	Hand force FH N	Holding force N
K0911.506501	50	65	28	12	36	M8x14	26	2	10	40	160	6000	±0,5*	600**	8000
K0911.638001	63	80	34	16	45	M10x18	28	2,5	12	50	180	8000	±0,8*	600**	14000

