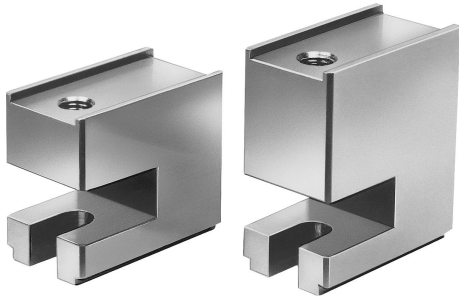


Riser blocks Form P

Item description/product images

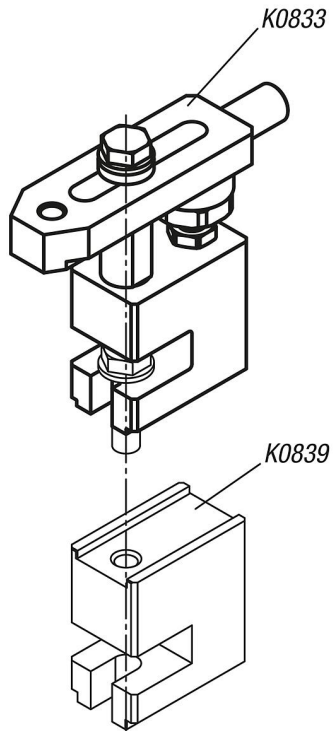


Description

Material:
Carbon steel.

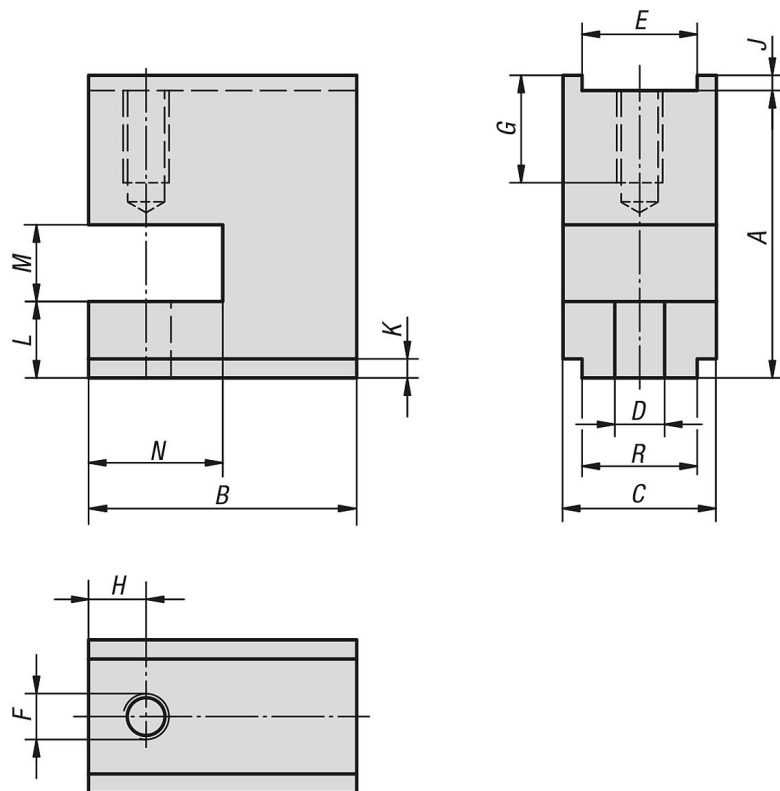
Version:
Black oxidised.

Note:
These riser blocks Form P are used together with clamping straps to clamp high workpieces.



Riser blocks Form P

Drawings



Overview of items

Riser blocks Form P

Order No.	A	B	C	D	E	F	G	H	J	K	L	M	N	R
K0839.12075	75	70	40	13	30	M12	24	15	4	5	20	20	35	30
K0839.12100	100	70	40	13	30	M12	24	15	3	5	20	20	35	30
K0839.16075	75	90	50	17	40	M16	30	20	4	5	20	20	45	40
K0839.16100	100	90	50	17	40	M16	30	20	3	5	20	20	45	40