

Keyway nuts round

Item description/product images

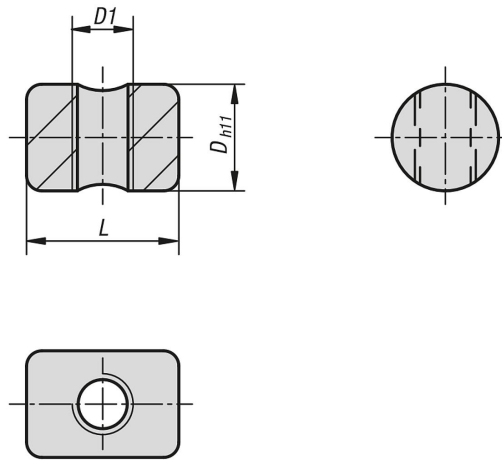


Description

Material:
Steel.

Version:
Black oxidised.

Drawings



Overview of items

Keyway nuts round

Order No.	D	D1	L
K0909.0802	14	M8	20
K0909.1202	20	M12	30