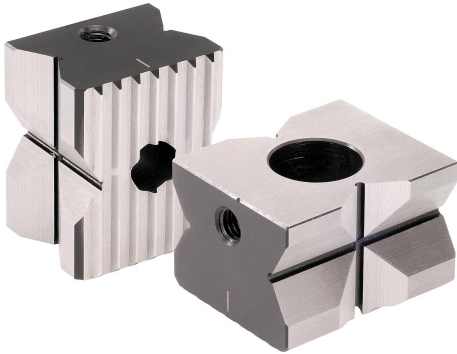


# Stop prism

## Item description/product images

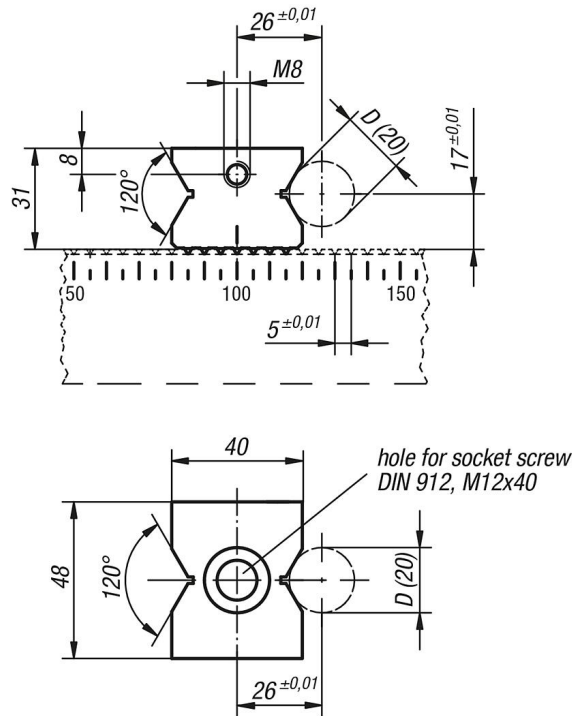


### Description

**Material:**  
Carbon steel 1.0503.

**Version:**  
Prism tempered to 1200-1400 N/mm<sup>2</sup>, black oxidised.  
Serrations and prism ground, bright.

## Drawings



## Overview of items

### Stop prism

Order No.	D min. - max.
K0906.5001265	5 - 33