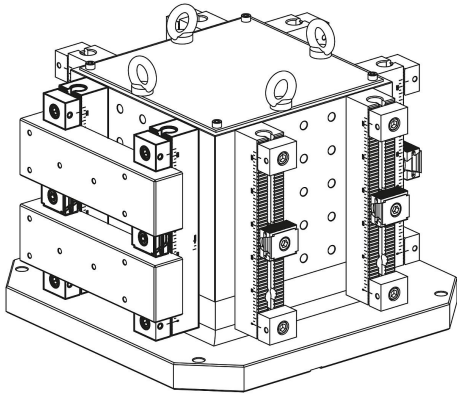
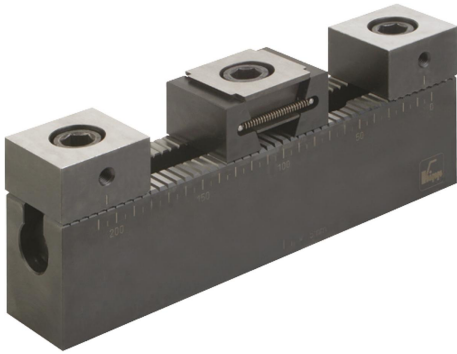


Multi-clamping system soft stops

Item description/product images



Description

Material:

Base rail, stops and wedge clamp carbon steel.

Version:

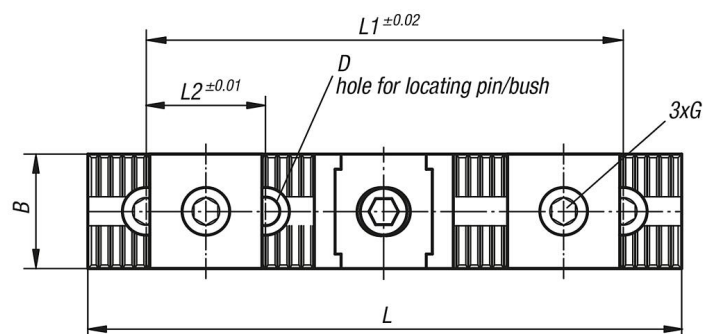
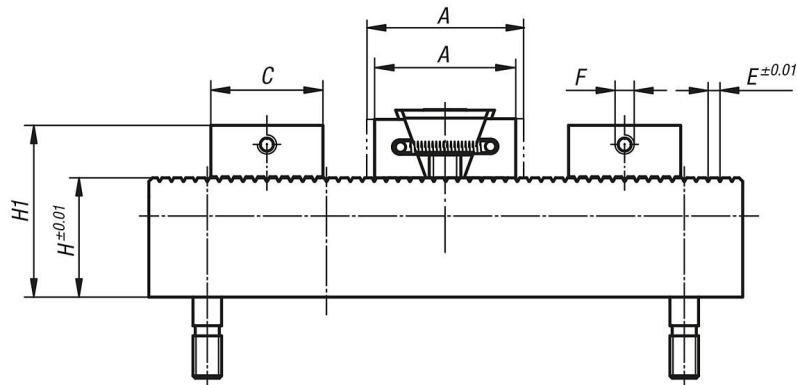
Serrations case hardened and ground.

Clamping jaws hardened and black oxidised.

Note:

Depending on the size the clamping jaws have 3 mm (K0903.08) or 5 mm (K0903.12, K0903.16) machining allowance per jaw.

Drawings



Overview of items

Multi-clamping system soft stops

Overview of items

Multi-clamping system, soft stops

Order No.	A min.	A max.	B	C	D	E	F	G cap screw DIN 912	H	H1	L	L1	L2	Clamping force ca. kN	weight kg
K0903.08	36,5	39,5	24	31	12H6	2,5	M5	M8x25	40	55	199	150	50	11	1,397
K0903.12	54	59,5	48	50	12F7	5	M8	M12x30	50	72	249	200	50	23	4,9
K0903.16	65	72	48	50	16F7	5	M8	M16x40	63	92	249	200	50	38	6,522