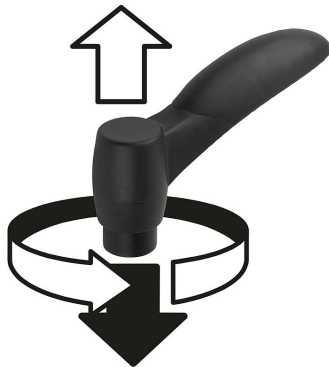


Clamping levers ECO, plastic with internal thread, threaded insert brass or blue passivated steel

Item description/product images



press to
disengage



Description

Material:

Handle and insert made from reinforced plastic.
Bush brass or steel.

Version:

Steel trivalent blue-passivated.

Note:

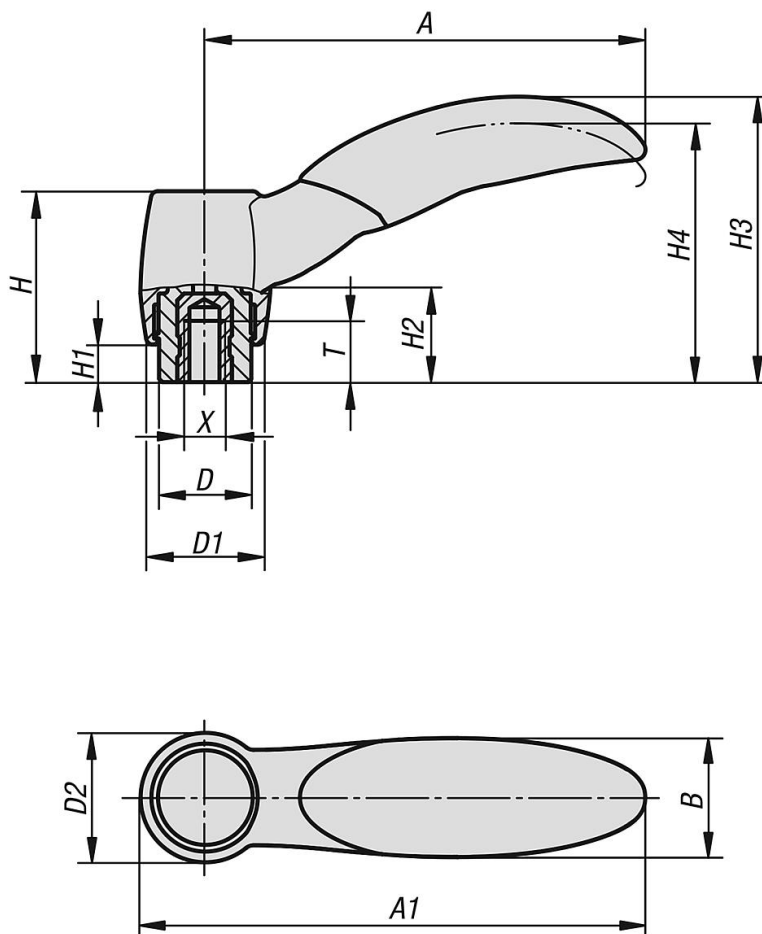
Standard colour is black grey RAL 7021.

On request:

Other female threads, colours and special versions.

Clamping levers ECO, plastic with internal thread, threaded insert brass or blue passivated steel

Drawings



Overview of items

Clamping levers ECO internal thread

Order No.	Component material	X	T	D	D1	D2	H	H1	H2	H3	H4	A	A1	B	No. of teeth
K0252.1041	brass	M4	6	10	12,6	14,1	21,7	5	11,3	32	29,1	47,9	55	13	12
K0252.1051	brass	M5	6	10	12,6	14,1	21,7	5	11,3	32	29,1	47,9	55	13	12
K0252.2051	brass	M5	7,5	13,5	17	19	28	5,5	14	41,9	38	64,5	74	17,5	12
K0252.2061	brass	M6	9	13,5	17	19	28	5,5	14	41,9	38	64,5	74	17,5	12
K0252.2081	brass	M8	9	13,5	17	19	28	5,5	14	41,9	38	64,5	74	17,5	12
K0252.3081	steel	M8	12	17	20,4	23,9	40,7	10	23,1	58,1	53,3	81,1	93	22	12
K0252.3101	steel	M10	12	17	20,4	23,9	40,7	10	23,1	58,1	53,3	81,1	93	22	12