

Robust side clamps

Item description/product images



Description

Material:

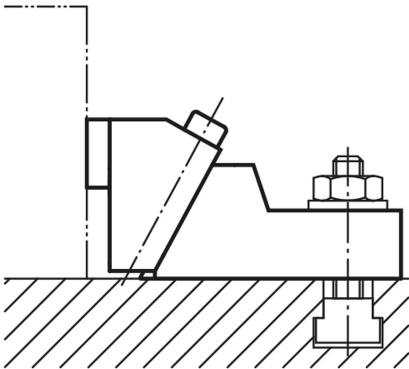
Body malleable iron.
Jaws mild steel.

Version:

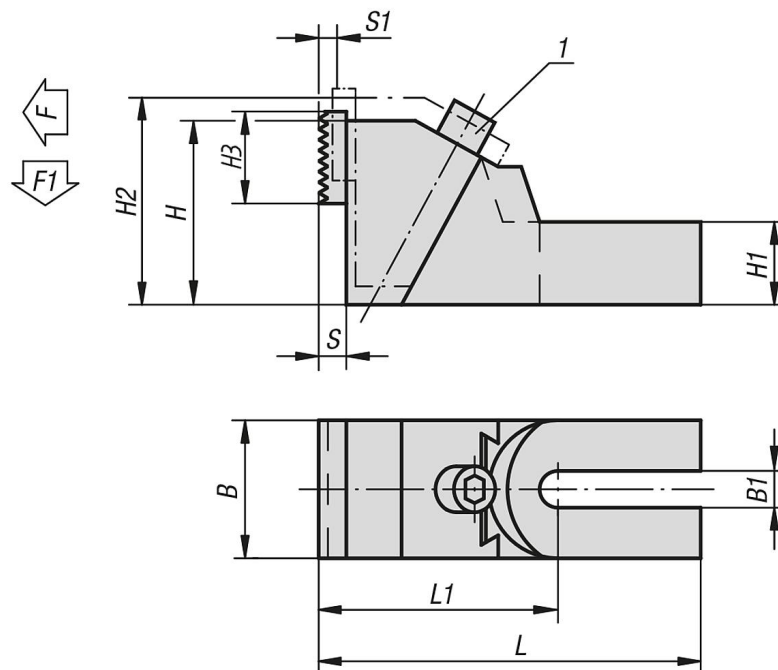
Black oxidised.
Jaws case-hardened.

Note:

The jaws are reversible, smooth side for machined parts, serrated side for rough surfaces. We recommend using two bolts to mount the clamp to the machine table!



Drawings



Overview of items

Robust side clamps

Robust side clamps

Overview of items

Order No.	suitable for slot width	L	L1	B	B1	H	H1	H2	H3	S	S1	Clamping force F (kN)	F1 kN	Tightening torque Nm
K0891.19	12/14/16/18	179	112,5	65	19	85	38	99	40	12	8	8/15/20/28	1,2/2,2/3/4,2	20/40/45/60
K0891.26	20/22/24/28/30	230	138,5	75	26	100	45	118	40	12	11	25/25/32/32/36	4,5/4,5/4,8/4,8/5,4	85/85/95/95/110
K0891.38	32/36/42	265	158	90	38	120	56	145	40	12	15	50	7,5	160