

## Spring plungers with slot and ceramic ball, stainless steel

### Item description/product images



### Description

#### Material:

Sleeve 1.4305.  
Ceramic ball  $\text{Si}_3\text{N}_4$ .  
Spring 1.4310.

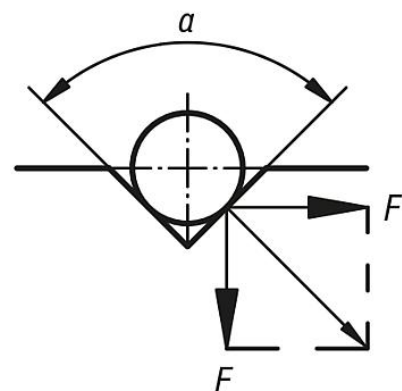
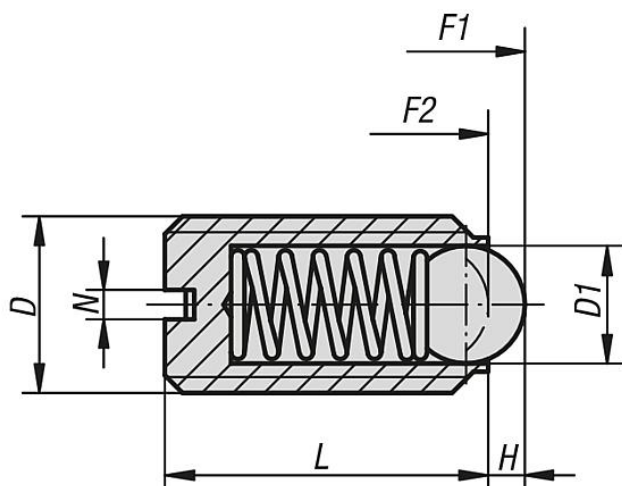
#### Version:

Bright.

#### Note:

The combination of excellent material properties is a special feature of silicon nitride ( $\text{Si}_3\text{N}_4$ ). These include high resilience and stability, excellent wear properties and good chemical resistance.

### Drawings



$$\begin{aligned} \alpha = 60^\circ, F' &= 1,732 \times F \\ \alpha = 90^\circ, F' &= F \\ \alpha = 120^\circ, F' &= 0,577 \times F \end{aligned}$$

### Overview of items

#### Spring plungers with slot and ceramic ball, stainless steel

Order No.	D	D1	H	L	N	Spring force initial pressure F1 approx. N	Spring force final pressure F2 approx. N
K0609.05	M5	3	0,9	12	0,8	6	11
K0609.06	M6	3,5	1	14	1	9	13
K0609.08	M8	5	1,5	16	1,2	15	30
K0609.10	M10	6	2	19	1,6	20	35
K0609.12	M12	8	2,5	22	2	30	55
K0609.16	M16	10	3,5	24	2,5	65	125

