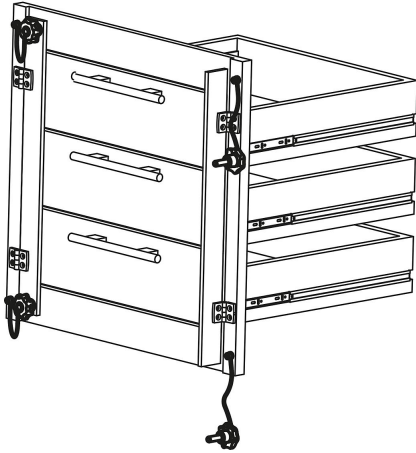
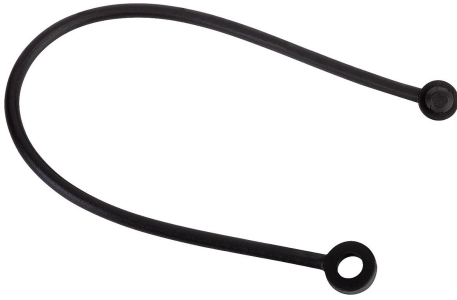


Safety cable

Item description/product images



Description

Material:

Thermoplastic urethane TPU.

Note:

This safety cable has a high breaking strain and good elasticity.

It was especially conceived for the star grips K0154, K0155 to make them unlosable operating parts.

Star grips K0154, K0155 and the knurled knobs K0260/K0261 and K0247 from our range can be retrofitted with this lanyard.

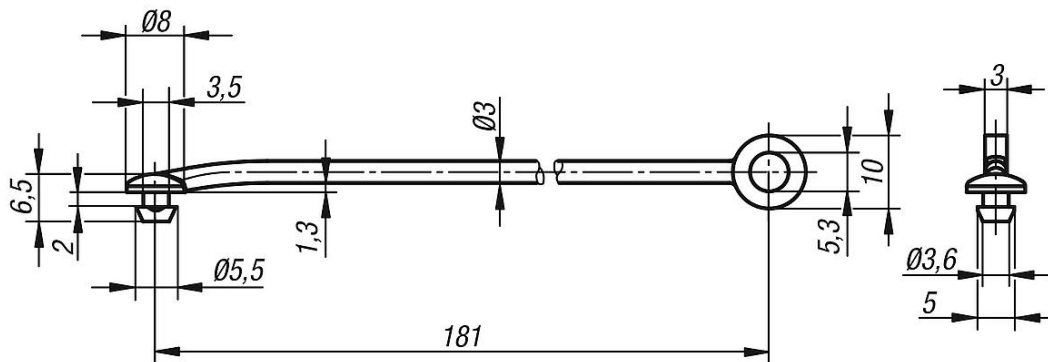
Assembly:

Recommended hole $\varnothing 3.8_{-0.1}$. The hole edge should be deburred. A Teflon based lubrication is recommended to aid assembly.

On request:

Can be combined with other products.

Drawings



Overview of items

Safety cable

Order No.	Dimensions
K0743.04190	see drawing

K0743

Safety cable

