

Oil level gauges, Form A, without thermometer

Item description/product images



Description

Material:

Housing thermoplastic polyamide.

O-ring and flat seal rubber (NBR).

Reflector aluminium.

Screw and hex nut steel.

Version:

Transparent housing, high mechanical stability, non-ageing, temperature resistant up to 100 °C.

Pressure resistant at 20 °C up to 10 bar, at 60 °C up to 8 bar.

Reflector painted white, line marks and scale black.

Screw and hexagon nut, electro zinc-plated.

Note:

The oil level gauges can either be fastened as shown in the illustration or screwed directly into a tapped hole. Centre distance for the fastening holes = $L1 \pm 0.3$.

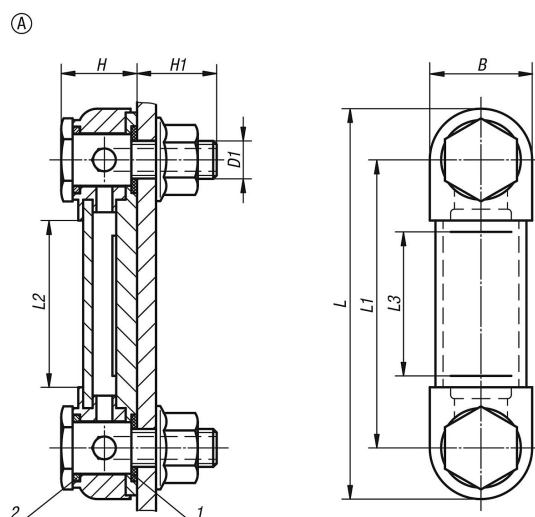
The max. tightening torque for the fastening screws is 5 Nm.

Drawing reference:

1) flat seal

2) O-ring

Drawings



Overview of items

Order No.	Form	B	D1	H	H1	L	L1	L2	L3	Number of fastening screws
K0443.1076	A	27	M10	20	21	103	76	44	37	2
K0443.1127	A	27	M12	19	18	151	127	95	80	2

