

# Recessed handles, stainless steel, fold-down, rectangular

## Item description/product images



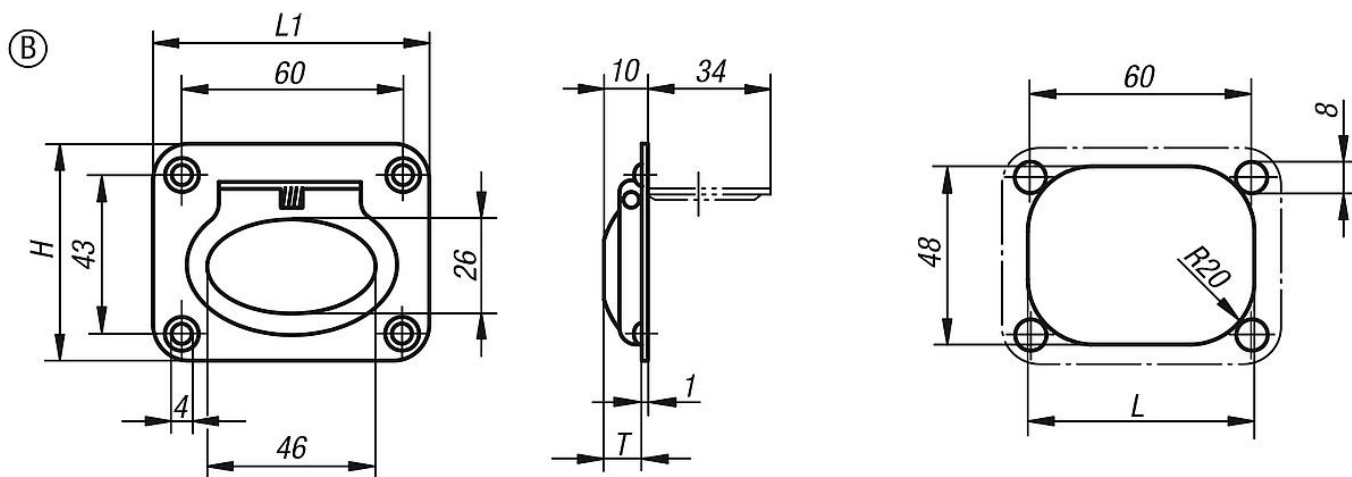
### Description

**Material:**  
Stainless steel 1.4301.

**Version:**  
High-gloss electropolished.

**Note:**  
Stainless steel retractable grips with marginal installation depth. For base and mounting plates or drawers. With return spring. The grip automatically swivels back into its resting position after use.

## Drawings



## Overview of items

### Fitting grip in stainless steel

Order No.	Form	Version 2	H	L	L1	T	Load capacity N
K0243.2075058	B	screw on	58	63	75	9	200