

Recessed handles, aluminium, fastened using 2 countersunk screws

Item description/product images

19"



Description

Material:

Tray handle in aluminium profile, end caps polyamide;
form B: mounting by 2 countersunk screws, steel

Version:

Handle glass-bead blasted, satin finish and anodised black or natural colour.
Rubber profile black.
Fastening screws electro zinc-plated.

Note:

The Tray Handles form B can be mounted from outside with 2 countersunk screws.

Two cross-slots offset by 90° for M4 screws allow earth/ground connection and can serve as a mounting aid for additional add-on parts.

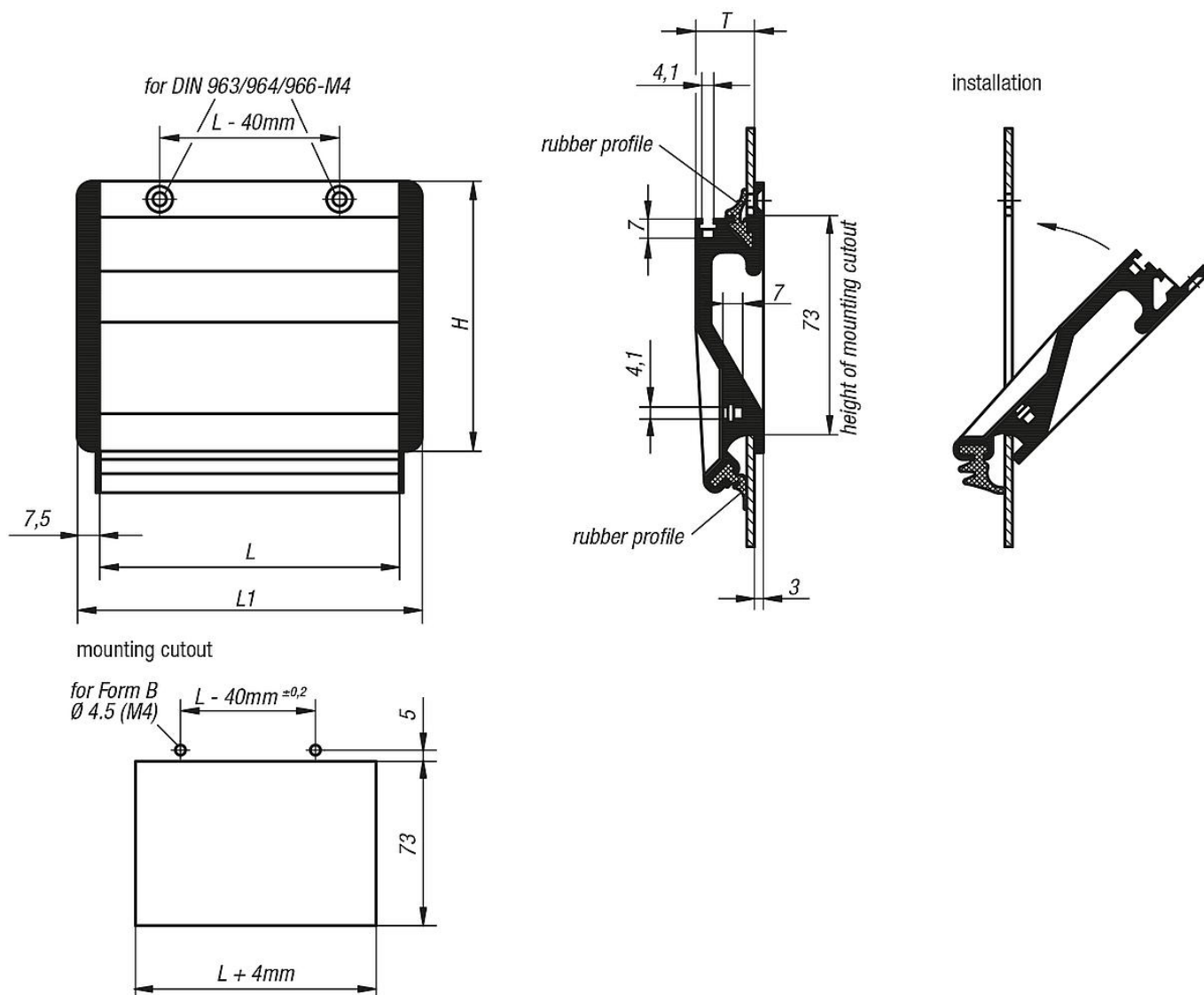
Assembly:

After fitting the lower rubber profile, press the two side caps onto the handle. Next press the handle over the lower edge of the mounting cutout at a 45° angle and then push it up against the housing panel.

Now, depending on which type is being used, push the 2nd rubber profile into the upper groove or fix in place with 2 countersunk screws.

Recessed handles, aluminium, fastened using 2 countersunk screws

Drawings



Overview of items

Tray Handles

Order No.	Main colour	Form	Version 2	H	L	L1	T	Mounting cutout	Load capacity N
K0238.10021	black	B	screw on	90	100	115	19,5	104 x 73	500
K0238.10023	natural	B	screw on	90	100	115	19,5	104 x 73	500
K0238.11821	black	B	screw on	90	118	133	19,5	122 x 73	500
K0238.11823	natural	B	screw on	90	118	133	19,5	122 x 73	500
K0238.16721	black	B	screw on	90	167	182	19,5	171 x 73	500
K0238.16723	natural	B	screw on	90	167	182	19,5	171 x 73	500

