

Taper grip with moulded thread, Form C

Item description/product images



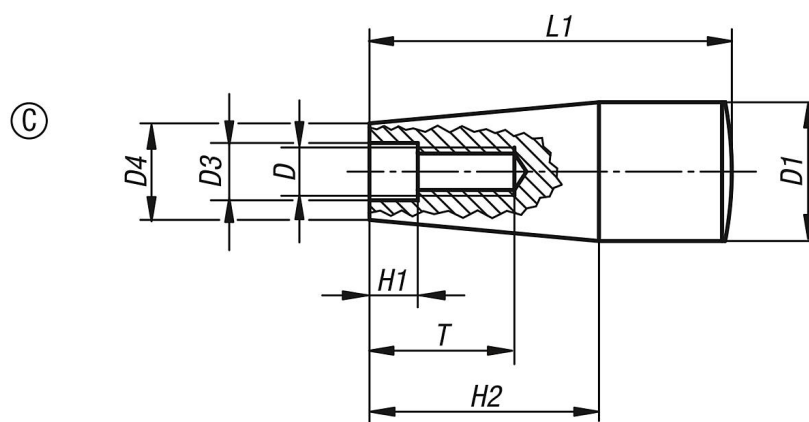
Description

Material:
Black thermoset PF 31

Version:
High-gloss polished.

On request:
Other colours.

Drawings



Overview of items

Order No.	Form	D	D1	D3	D4	H1	H2	L1	T
K0172.106	C	M6	17	6,2	15	2	26	45	14
K0172.108	C	M8	17	8,2	13	2	26	45	16
K0172.1081	C	M8	23	8,5	18	2	38	61	24
K0172.110	C	M10	29	10,5	21	3,5	42	71	28