

# Handwheels drilled thru

## Item description/product images



### Description

**Material:**

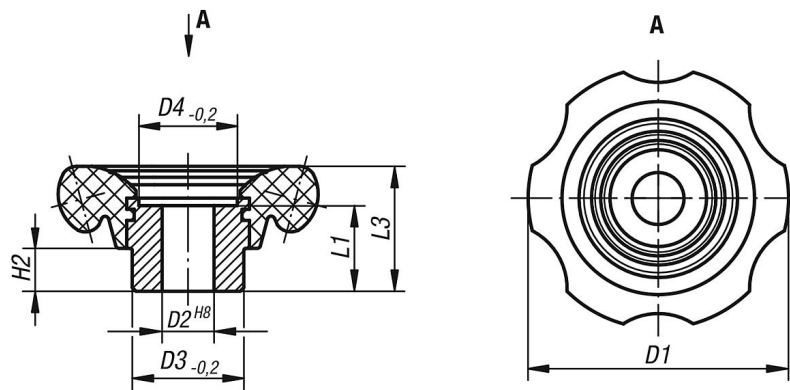
Handwheel thermoset PF 31.

Bush steel, black oxidised.

**Version:**

High-gloss polished, black.

## Drawings



## Overview of items

### Handwheels

Order No.	Version 1	D1	D2	D3	D4	H2	L1	L3
K0184.70212	reamed hole	70	12H8	30	26,5	11,5	23	33,5
K0184.70214	reamed hole	70	14H8	30	26,5	11,5	23	33,5
K0184.83214	reamed hole	83	14H8	35	31,5	14	28	40
K0184.83216	reamed hole	83	16H8	35	31,5	14	28	40