

## Handwheels DIN 950, aluminium, without grip

### Item description/product images

---



### Description

**Material:**

Handwheel in aluminium

**Version:**

Wheel rim turned and polished.

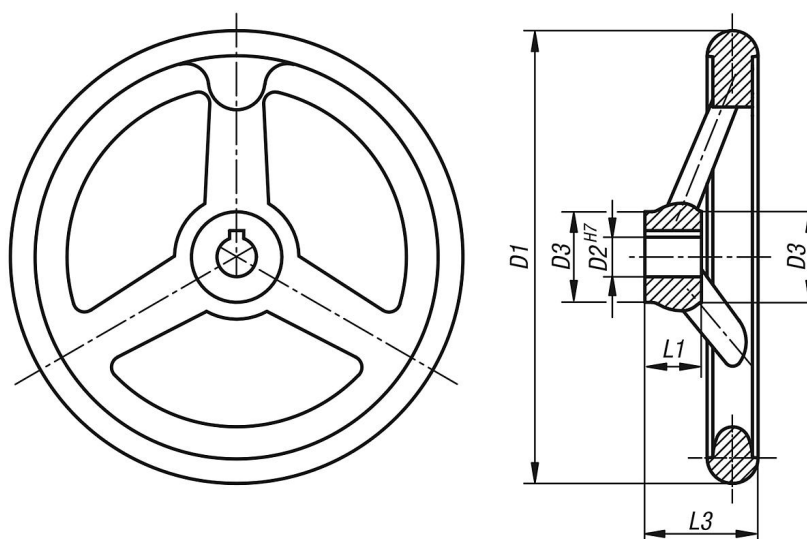
**On request:**

Hubs with square socket or powder-coated handwheels.

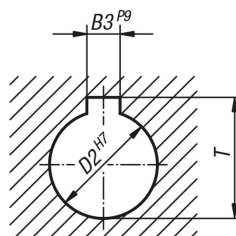


## Handwheels DIN 950, aluminium, without grip

## Drawings



DIN 6885-1



## Overview of items

Order No.	Version 1	D1	D2	D3	L1	L3	B3	T	Number of spokes
K0160.0080X10	reamed hole	80	10H7	25	16	29	-	-	3
K0160.0080X12	reamed hole	80	12H7	25	16	29	-	-	3
K0160.0100X10	reamed hole	100	10H7	29	17	33	-	-	3
K0160.0100X12	reamed hole	100	12H7	29	17	33	-	-	3
K0160.0125X12	reamed hole	125	12H7	31	18	36	-	-	3
K0160.0125X14	reamed hole	125	14H7	31	18	36	-	-	3
K0160.0140X14	reamed hole	140	14H7	36	19	39	-	-	3
K0160.0140X16	reamed hole	140	16H7	36	19	39	-	-	3
K0160.0160X14	reamed hole	160	14H7	36	20	40	-	-	3
K0160.0160X16	reamed hole	160	16H7	36	20	40	-	-	3
K0160.0180X16	reamed hole	180	16H7	37	22	43	-	-	3
K0160.0180X18	reamed hole	180	18H7	37	22	43	-	-	3
K0160.0200X18	reamed hole	200	18H7	43	24	45	-	-	3
K0160.0200X22	reamed hole	200	22H7	43	24	45	-	-	3
K0160.0250X22	reamed hole	250	22H7	49	28	50	-	-	5
K0160.0250X26	reamed hole	250	26H7	49	28	50	-	-	5
K0160.0315X26	reamed hole	315	26H7	54	33	56	-	-	5
K0160.0315X30	reamed hole	315	30H7	54	33	56	-	-	5
K0160.0400X30	reamed hole	400	30H7	65	38	63	-	-	5
K0160.0400X34	reamed hole	400	34H7	65	38	63	-	-	5
K0160.0500X34	reamed hole	500	34H7	79	45	72	-	-	5
K0160.0500X40	reamed hole	500	40H7	79	45	72	-	-	5
K0160.1080X10	reamed hole with slot	80	10H7	25	16	29	3	11,4	3
K0160.1080X12	reamed hole with slot	80	12H7	25	16	29	4	13,8	3
K0160.1100X10	reamed hole with slot	100	10H7	29	17	33	3	11,4	3
K0160.1100X12	reamed hole with slot	100	12H7	29	17	33	4	13,8	3
K0160.1125X12	reamed hole with slot	125	12H7	31	18	36	4	13,8	3

## Handwheels DIN 950, aluminium, without grip

### Overview of items

Order No.	Version 1	D1	D2	D3	L1	L3	B3	T	Number of spokes
K0160.1125X14	reamed hole with slot	125	14H7	31	18	36	5	16,3	3
K0160.1140X14	reamed hole with slot	140	14H7	36	19	39	5	16,3	3
K0160.1140X16	reamed hole with slot	140	16H7	36	19	39	5	18,3	3
K0160.1160X14	reamed hole with slot	160	14H7	36	20	40	5	16,3	3
K0160.1160X16	reamed hole with slot	160	16H7	36	20	40	5	18,3	3
K0160.1180X16	reamed hole with slot	180	16H7	37	22	43	5	18,3	3
K0160.1180X18	reamed hole with slot	180	18H7	37	22	43	6	20,8	3
K0160.1200X18	reamed hole with slot	200	18H7	43	24	45	6	20,8	3
K0160.1200X22	reamed hole with slot	200	22H7	43	24	45	6	24,8	3
K0160.1250X22	reamed hole with slot	250	22H7	49	28	50	6	24,8	5
K0160.1250X26	reamed hole with slot	250	26H7	49	28	50	8	29,3	5
K0160.1315X26	reamed hole with slot	315	26H7	54	33	56	8	29,3	5
K0160.1315X30	reamed hole with slot	315	30H7	54	33	56	8	33,3	5
K0160.1400X30	reamed hole with slot	400	30H7	65	38	63	8	33,3	5
K0160.1400X34	reamed hole with slot	400	34H7	65	38	63	10	37,3	5
K0160.1500X34	reamed hole with slot	500	34H7	79	45	72	10	37,3	5
K0160.1500X40	reamed hole with slot	500	40H7	79	45	72	12	43,3	5