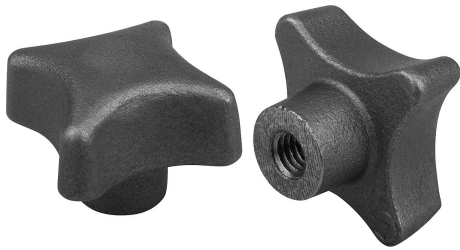


**Palm grips DIN 6335, grey cast iron, Form E, blind tapped hole**

Item description/product images

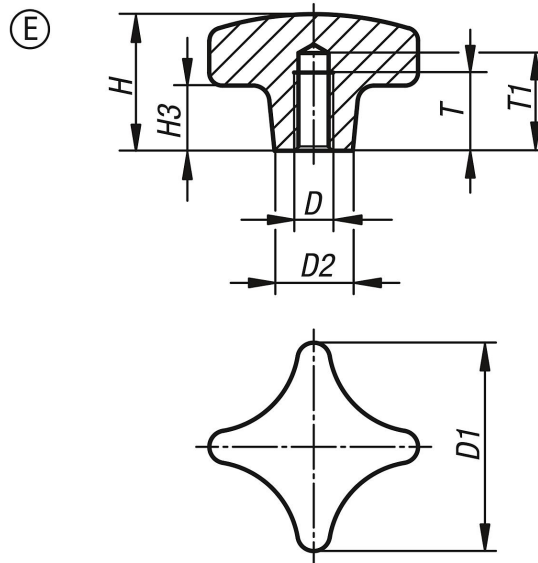


**Description**

**Material:**  
Grey cast iron GJL 200.

**Version:**  
Vibratory ground.  
Bright.

**Drawings**



**Overview of items**

Order No.	Form	Surface finish body	D	D1	D2	H	H3	T	T1
K0147.506	E	tumbled	M6	32	12	20	10	12	15
K0147.508	E	tumbled	M8	40	14	25	14	15	18
K0147.510	E	tumbled	M10	50	18	32	20	18	21
K0147.512	E	tumbled	M12	63	20	40	25	22	25
K0147.516	E	tumbled	M16	80	25	50	30	28	32
K0147.520	E	tumbled	M20	100	32	63	38	36	40