

Knurled nuts, steel and stainless steel DIN 6303 Form A, without pinhole

Item description/product images



Description

Material:

Steel 1.0718.

Stainless steel 1.4305.

Version:

Steel, black oxidised.

Stainless steel, bright.

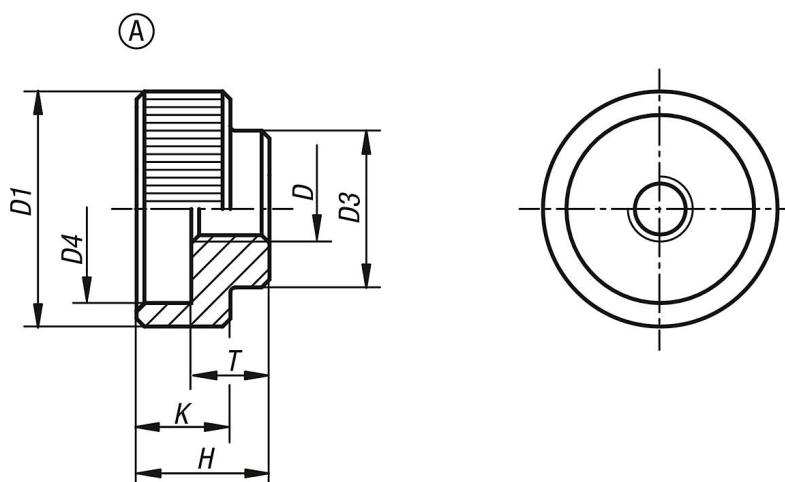
Note:

Due to the better haptics, a larger pitch was chosen contrary to DIN.

Drawing reference:

Form A: without pin hole

Drawings



Overview of items

Order No.	Form	Main material	D	D1	D3	D4	H	K	T
K0137.105	A	steel	M5	20	14	15	12	8	7
K0137.106	A	steel	M6	24	16	18	14	10	8
K0137.108	A	steel	M8	30	20	24	17	12	10
K0137.110	A	steel	M10	36	28	30	20	14	12
K0137.112	A	steel	M12	40	32	34	24	16	14
K0137.1052	A	stainless steel	M5	20	14	15	12	8	7
K0137.1062	A	stainless steel	M6	24	16	18	14	10	8
K0137.1082	A	stainless steel	M8	30	20	24	17	12	10
K0137.1102	A	stainless steel	M10	36	28	30	20	14	12
K0137.1122	A	stainless steel	M12	40	32	34	24	16	14