

Crank handles aluminium with safety grip and reamed hole

Item description/product images



Description

Material:

Crank aluminium.
Cylinder grip thermoplastic and steel.

Version:

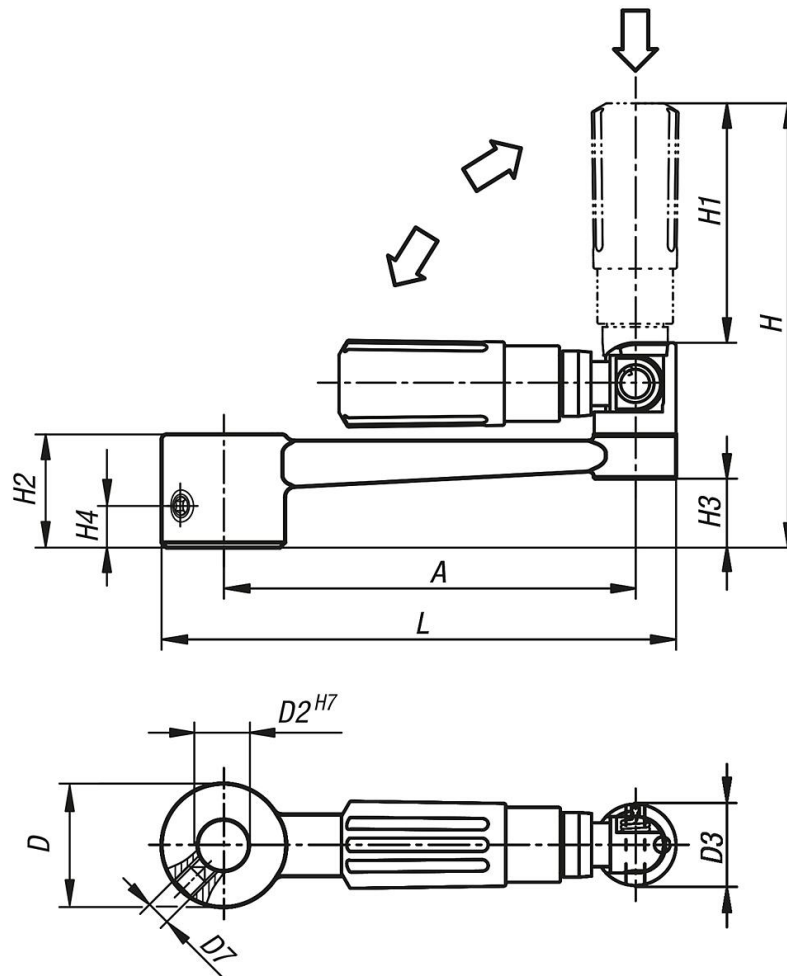
Crank black powder-coated.
Thermoplastic black grey.
Steel parts black oxidised.

Note:

Similar to DIN 469.
Versions with transverse bore are secured using the ISO 4027 (DIN 914) grub screw.

Crank handles aluminium with safety grip and reamed hole

Drawings



Overview of items

Order No.	Version 1	Version 2	A	D	D2	D3	D7	H	H1	H2	H3	H4	L
K0998.1110	reamed hole	without transverse hole	80	24	10	16	-	87,5	47,5	22	13,6	-	100
K0998.1212	reamed hole	without transverse hole	100	28	12	20	-	107	58,5	25	16	-	124
K0998.1314	reamed hole	without transverse hole	125	30	14	25	-	139	82	28	15,8	-	153
K0998.1417	reamed hole	without transverse hole	160	34	17	25	-	143	82	32	19,6	-	190
K0998.11106	reamed hole	with transverse bore	80	24	10	16	M6	87,5	47,5	22	13,4	7,5	100
K0998.12126	reamed hole	with transverse bore	100	28	12	20	M6	106,9	58,4	26	16	7,5	124
K0998.13146	reamed hole	with transverse bore	125	30	14	26	M6	139,1	82,1	28	15,8	7,5	153
K0998.14176	reamed hole	with transverse bore	160	34	17	26	M6	143,1	82,1	32	19,6	7,5	190