

Levelling feet plates steel or stainless steel

Item description/product images



Description

Material:

Plate steel or stainless steel 1.4301.

Version:

Steel chrome-plated.
Stainless steel polished.

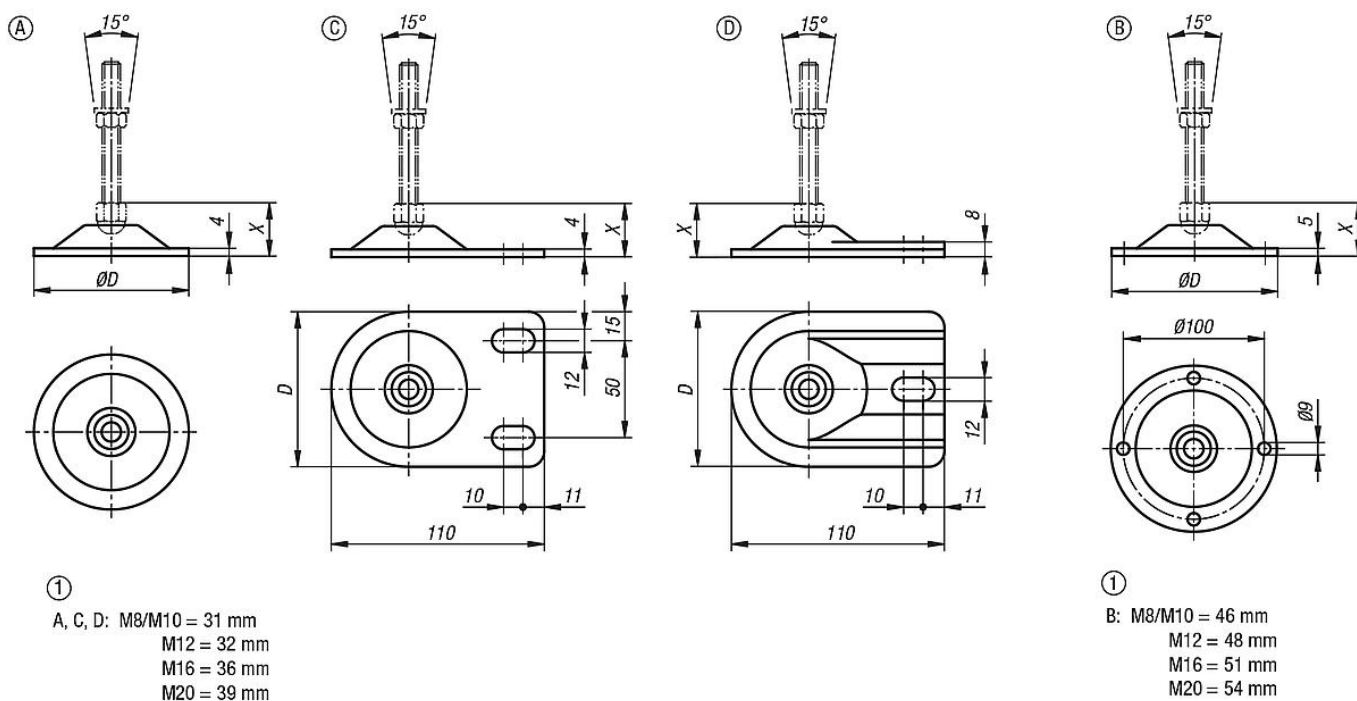
Note:

Levelling feet consist of a plate and a threaded spindle.
Any plate can be combined with any threaded spindle.
For matching threaded spindles, see K0669.

Drawing reference:

1) X with spindle size:

Drawings



Overview of items

Levelling feet plates steel or stainless steel

Order No. steel	Order No. stainless steel	Form	D	Load rating max. kN
K0672.10801	K0672.10802	A	80	20
K0672.21251	K0672.21252	B	125	40
K0672.30801	K0672.30802	C	80	20
K0672.40801	K0672.40802	D	80	20

