

## Compression latches

### Item description/product images



### Description

#### Material:

Housing and actuator die-cast zinc.  
Flat seal rubber.  
Tongue steel.

#### Version:

Housing and actuator trivalent passivated.  
Tongue electro zinc-plated.

#### Note:

Compression latches are primarily used for doors and housings that require a high pressure on the seal. Right or left deployment. The locking direction is always clockwise.

Vibration-proof, water and dust tight according to IP65.

Please order the desired tongue type separately. Every tongue can be combined with every housing.

#### Function:

Turning the actuator 90° brings the tongue into the closed position. Turning the actuator another 90° draws the tongue into the frame increasing the pressure. The compression gap is 6 mm. The fastening nut is an earthing nut with teeth one side.

#### Accessory:

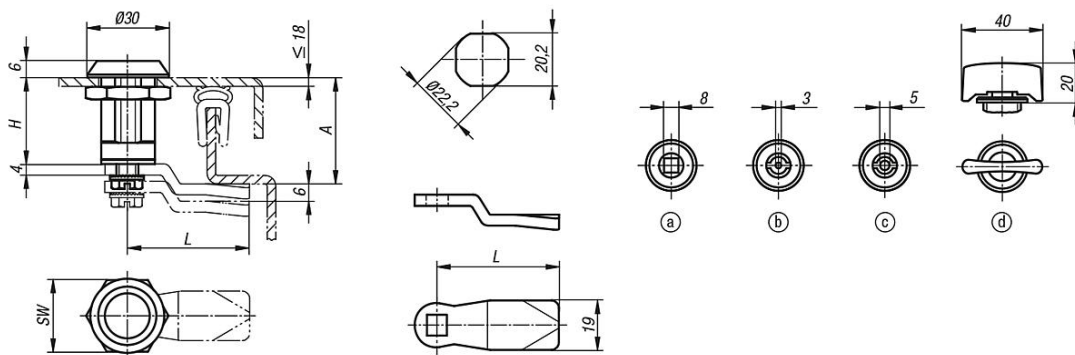
Key K0535

#### Drawing reference:

Actuation:

- a) square 8 mm
- b) double lug 3 mm
- c) double lug 5 mm
- d) toggle

### Drawings



### Overview of items

### Compression latches

## Compression latches

### Overview of items

Order No.	Actuation	H	SW
K0529.18321	square 8 mm	32	27
K0529.30321	wing grip	32	27
K0529.43321	double lug 3 mm	32	27
K0529.45321	double lug 5 mm	32	27

### Tongue for compression latches

Order No.	A	L
K0530.145X320	32	45
K0530.145X350	35	45
K0530.145X380	38	45
K0530.145X440	44	45
K0530.151X320	32	51