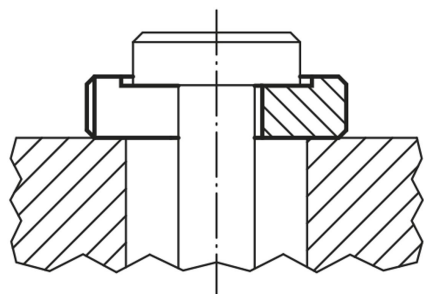


## C-washers DIN 6372 enhanced

### Item description/product images



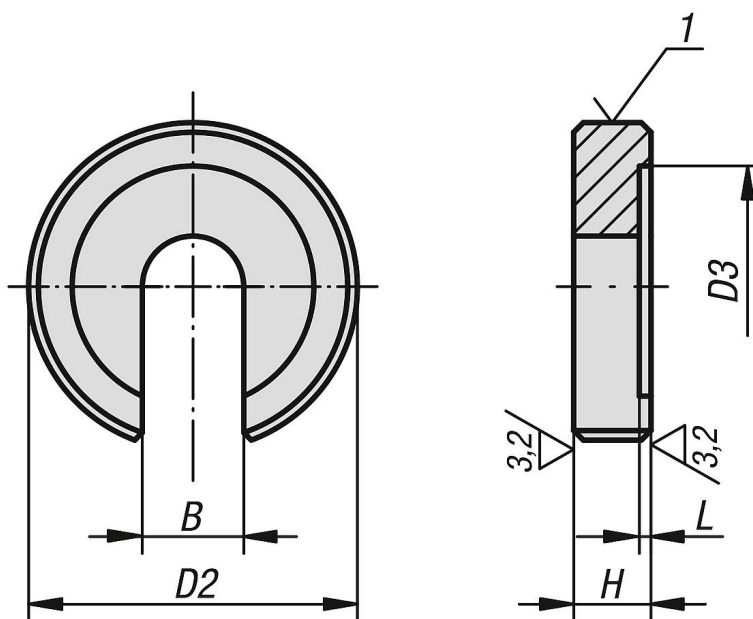
### Description

**Material:**  
Carbon steel.

**Version:**  
Tempered and black oxidised.

**Drawing reference:**  
1) cross knurl

### Drawings



### Overview of items

#### C-washers for fixtures DIN 6372 enhanced

Order No.	B	D2	D3	H	L
K0730.05	5,25	17	12	5	0,75
K0730.06	6,4	22	16	6	0,8
K0730.08	8,4	28	21	7	1
K0730.10	10,5	34	25	8	1,2
K0730.12	13	40	30	9	1,8
K0730.14	14,5	48	33	12	1,8
K0730.16	17	56	37	12	1,8
K0730.20	21	64	45	14	2
K0730.24	25	75	52	16	2
K0730.30	31	90	65	18	2

**C-washers DIN 6372 enhanced****Overview of items**

Order No.	B	D2	D3	H	L
<b>K0730.36</b>	37	100	75	20	2,5