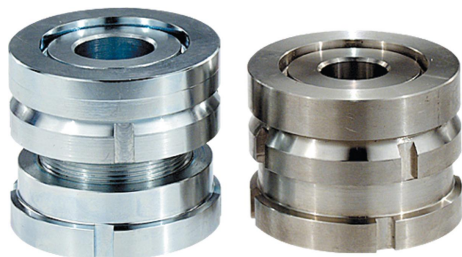


## Levelling sets spherical washer

### Item description/product images



### Description

#### Material:

Steel 1.7225.

Stainless steel 1.4305.

#### Version:

Seel version trivalent blue passivated.

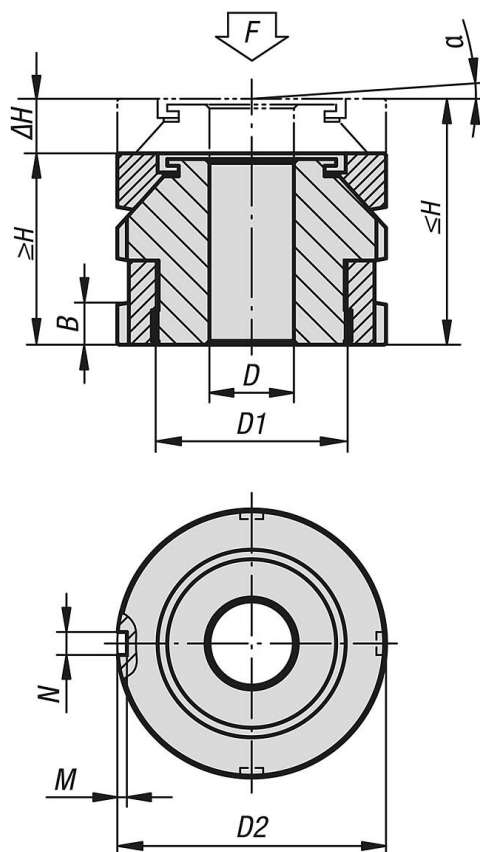
Stainless steel version bright.

#### Note:

Levelling sets with spherical washers are used for mounting, levelling and aligning motors, aggregates, drive units and assembly lines. The spherical washer permits exact alignment when mounting sloping on surfaces of up to 4°.

The static additional load  $F_1$  is effective after deducting the tensioning force (screw 8.8,  $\mu_m = 0.125$ ) from the total load  $F$ .

### Drawings



### Overview of items

#### Levelling Sets with spherical washer

Order No.	Main material	D	for screw	D1	D2	H min.	H max.	$\Delta H$	N	M	$\alpha$	F kN	F1 kN
K0695.0406	high carbon steel	6,6	M6	M15x1	25	22	26	4	4	2	4°	40	36
K0695.0506	high carbon steel	6,6	M6	M20x1	32	26	31	5	4	2	4°	65	55,7

## Levelling sets spherical washer

### Overview of items

Order No.	Main material	D	for screw	D1	D2	H min.	H max.	ΔH	N	M	α	F kN	F1 kN
K0695.0508	high carbon steel	9	M8	M20x1	32	26	31	5	4	2	4°	65	48
K0695.0510	high carbon steel	11	M10	M20x1	32	26	31	5	4	2	4°	65	37,9
K0695.0710	high carbon steel	11	M10	M30x1,5	45	34	41	7	5	2	4°	120	92,9
K0695.0712	high carbon steel	13,5	M12	M30x1,5	45	34	41	7	5	2	4°	120	80,4
K0695.0716	high carbon steel	17,5	M16	M30x1,5	45	34	41	7	5	2	4°	120	45,5
K0695.0916	high carbon steel	17,5	M16	M40x1,5	58	44	53	9	6	2,5	4°	210	136
K0695.0920	high carbon steel	22	M20	M40x1,5	58	44	53	9	6	2,5	4°	210	90
K0695.0924	high carbon steel	26	M24	M40x1,5	58	44	53	9	6	2,5	4°	210	37
K0695.1020	high carbon steel	22	M20	M50x1,5	70	50	60	10	6	2,5	4°	330	210
K0695.1024	high carbon steel	26	M24	M50x1,5	70	50	60	10	6	2,5	4°	330	157
K0695.1030	high carbon steel	33	M30	M50x1,5	70	50	60	10	6	2,5	4°	330	53
K0695.1224	high carbon steel	26	M24	M60x2	80	56	68	12	7	3	4°	495	322
K0695.1230	high carbon steel	33	M30	M60x2	80	56	68	12	7	3	4°	495	218
K0695.04061	stainless steel	6,6	M6	M15x1	25	22	26	4	4	2	4°	27,1	24,14
K0695.05061	stainless steel	6,6	M6	M20x1	32	26	31	5	4	2	4°	43,4	36,56
K0695.05081	stainless steel	9	M8	M20x1	32	26	31	5	4	2	4°	43,4	30,86
K0695.05101	stainless steel	11	M10	M20x1	32	26	31	5	4	2	4°	43,4	23,41
K0695.07101	stainless steel	11	M10	M30x1,5	45	34	41	7	5	2	4°	84	64,01
K0695.07121	stainless steel	13,5	M12	M30x1,5	45	34	41	7	5	2	4°	84	54,82
K0695.07161	stainless steel	17,5	M16	M30x1,5	45	34	41	7	5	2	4°	84	28,9
K0695.09161	stainless steel	17,5	M16	M40x1,5	58	44	53	9	6	2,5	4°	148	92,9
K0695.09201	stainless steel	22	M20	M40x1,5	58	44	53	9	6	2,5	4°	148	59,08
K0695.09241	stainless steel	26	M24	M40x1,5	58	44	53	9	6	2,5	4°	148	20,3
K0695.10201	stainless steel	22	M20	M50x1,5	70	50	60	10	6	2,5	4°	225	136,08
K0695.10241	stainless steel	26	M24	M50x1,5	70	50	60	10	6	2,5	4°	225	97,3
K0695.10301	stainless steel	33	M30	M50x1,5	70	50	60	10	6	2,5	4°	225	20,6
K0695.12241	stainless steel	26	M24	M60x2	80	56	68	12	7	3	4°	323	195,3
K0695.12301	stainless steel	33	M30	M60x2	80	56	68	12	7	3	4°	323	118,6