

## Ball grips revolving

### Item description/product images



### Description

#### Material:

Ball thermoset PF 31.

Bush and screw steel or stainless steel 1.4305.

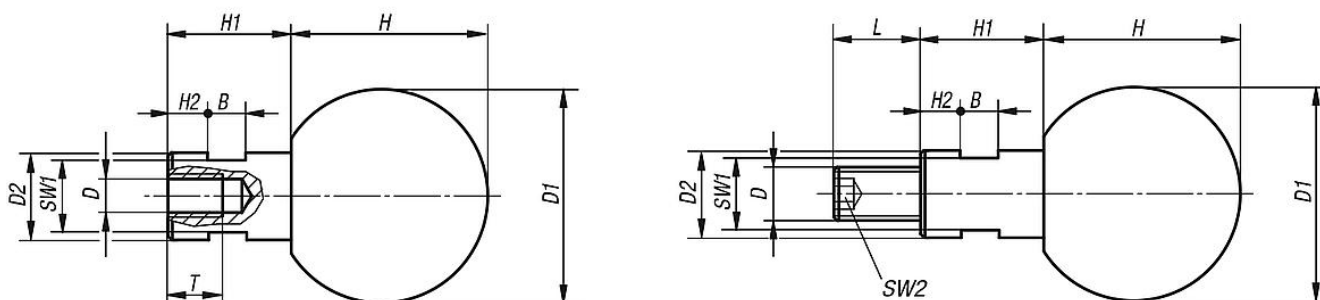
#### Version:

Ball black glossy.

Steel trivalent blue passivated.

Stainless steel bright.

### Drawings



### Overview of items

#### Ball grips revolving with internal thread

Order No.	Component material	B	D	D1	D2	H	H1	H2	L	SW1	SW2	T
K0726.060	steel	5	M6	25	10	22,5	15	5	-	8	-	12,5
K0726.080	steel	6	M8	32	13	29,5	19	6	-	10	-	15
K0726.100	steel	8	M10	40	16	37	24	8	-	13	-	19
K0726.120	steel	10	M12	50	20	47	31	12	-	17	-	21,5
K0726.1060	stainless steel	5	M6	25	10	22,5	15	5	-	8	-	12,5
K0726.1080	stainless steel	6	M8	32	13	29,5	19	6	-	10	-	15
K0726.1100	stainless steel	8	M10	40	16	37	24	8	-	13	-	19
K0726.1120	stainless steel	10	M12	50	20	47	31	12	-	17	-	21,5
K0726.061	steel	5	M6	25	10	22,5	15	5	11	8	3	-
K0726.081	steel	6	M8	32	13	29,5	19	6	13	10	4	-
K0726.101	steel	8	M10	40	16	37	24	8	14	13	5	-
K0726.121	steel	10	M12	50	20	47	31	12	21	17	6	-
K0726.1061	stainless steel	5	M6	25	10	22,5	15	5	11	8	3	-
K0726.1081	stainless steel	6	M8	32	13	29,5	19	6	13	10	4	-
K0726.1101	stainless steel	8	M10	40	16	37	24	8	14	13	5	-
K0726.1121	stainless steel	10	M12	50	20	47	31	12	21	17	6	-

