

Toggle clamps vertical with flat foot and adjustable clamping spindle

Item description/product images



Description

Material:

Steel.
Grip polyamide.

Version:

Carbonitrided and black oxidised.
Grip blue, black or red.

Note:

Maintenance-free high quality link bushings. Sustainable constant use of force during opening and closing. Optimum stability through the conical, U-profile clamping arm.

On request:

Other grip colours.

Accessory:

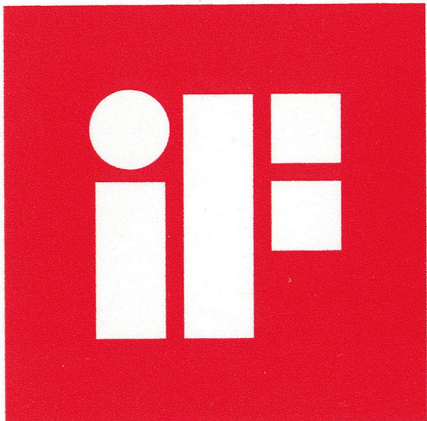
K0106
K0098
K0383
K0388
K0390
K0391
K0392
K0393

Drawing reference:

1) stop pin position 1
2) stop pin position 2

Toggle clamps vertical with flat foot and adjustable clamping spindle

Item description/product images

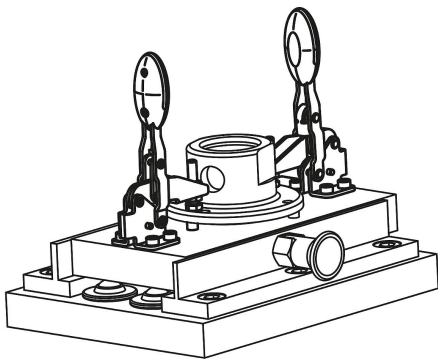


**product
design
award**

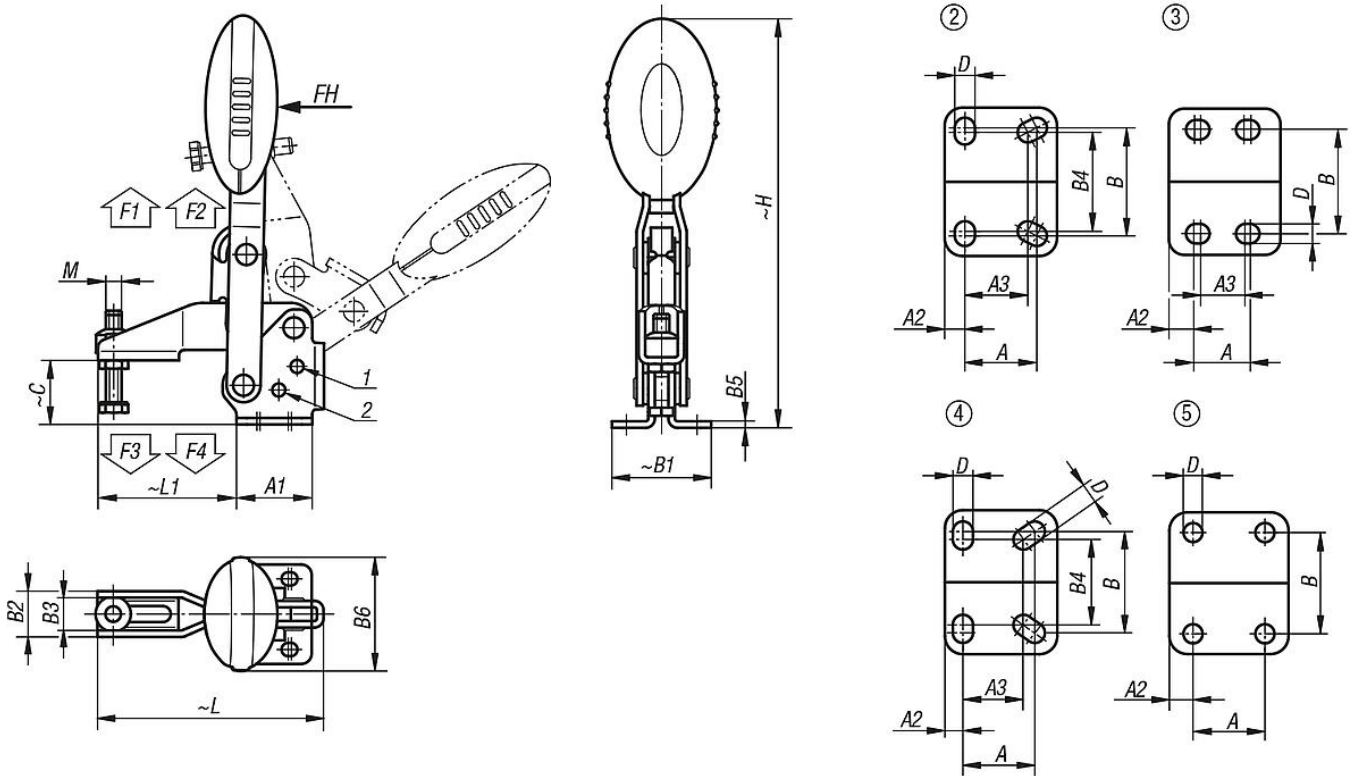


Toggle clamps vertical with flat foot and adjustable clamping spindle

Item description/product images



Drawings



Overview of items

Toggle clamps vertical with flat foot and adjustable clamping spindle

Toggle clamps vertical with flat foot and adjustable clamping spindle

Overview of items

Order No.	Component colour	Opening angle holding arm position 1	Opening angle holding arm position 2	Opening angle holding arm stop pin removed	Opening angle handle position 1	Opening angle handle position 2	Opening angle handle stop pin removed	Hand force FH N	Retaining force F1 N	Retaining force F2 N	Clamping force F3 N	Clamping force F4 N
K0662.005001	ultramarine RAL 5002	100°	-	147°	64°	-	83°	100	750	1050	620	750
K0662.006001	ultramarine RAL 5002	56°	83°	152°	46°	56°	83°	160	1350	1650	920	1050
K0662.008001	ultramarine RAL 5002	13°	93°	158°	26°	61°	86°	190	2000	2800	940	1350
K0662.010001	ultramarine RAL 5002	6°	97°	176°	19°	59°	91°	250	2500	4500	1500	2800
K0662.012001	ultramarine RAL 5002	11°	88°	164°	24°	60°	91°	280	3000	5500	1400	2800
K0662.005000	black grey RAL 7021	100°	-	147°	64°	-	83°	100	750	1050	620	750
K0662.006000	black grey RAL 7021	56°	83°	152°	46°	56°	83°	160	1350	1650	920	1050
K0662.008000	black grey RAL 7021	13°	93°	158°	26°	61°	86°	190	2000	2800	940	1350
K0662.010000	black grey RAL 7021	6°	97°	176°	19°	59°	91°	250	2500	4500	1500	2800
K0662.012000	black grey RAL 7021	11°	88°	164°	24°	60°	91°	280	3000	5500	1400	2800
K0662.005003	traffic red RAL 3020	100°	-	147°	64°	-	83°	100	750	1050	620	750
K0662.006003	traffic red RAL 3020	56°	83°	152°	46°	56°	83°	160	1350	1650	920	1050
K0662.008003	traffic red RAL 3020	13°	93°	158°	26°	61°	86°	190	2000	2800	940	1350
K0662.010003	traffic red RAL 3020	6°	97°	176°	19°	59°	91°	250	2500	4500	1500	2800
K0662.012003	traffic red RAL 3020	11°	88°	164°	24°	60°	91°	280	3000	5500	1400	2800

Order No.	Component colour	hole arrangement	M	A	A1	A2	A3	B	B1	B2	B3	B4	B5	B6	C	D	H	L	L1	Order No. Angle bracket
K0662.005001	ultramarine RAL 5002	2	M5x25	16	25	4,5	14	24	33	13,2	9,2	22	2	22,5	18	4,5	107,4	65,6	35	K0098.02
K0662.006001	ultramarine RAL 5002	3	M6x35	14	29	7	12	27	38	17,5	12,5	-	2,5	43,5	24,9	5,5	156,3	86,5	53	K0098.02
K0662.008001	ultramarine RAL 5002	3	M8x45	21	39	9	19	32	45	20,6	15,6	-	2,5	41,5	32,7	6,8	184,2	107	62	K0098.04
K0662.010001	ultramarine RAL 5002	4	M10x55	32	50	8	27	45	64	25,5	18,5	38	3,5	47	38,7	9	223,9	153	95	K0098.06
K0662.012001	ultramarine RAL 5002	5	M12x70	32	53	10,5	-	45	63	28	21	-	3,5	47	46,7	8,8	242,4	173,5	113,5	K0098.06
K0662.005000	black grey RAL 7021	2	M5x25	16	25	4,5	14	24	33	13,2	9,2	22	2	22,5	18	4,5	107,4	65,6	35	K0098.02
K0662.006000	black grey RAL 7021	3	M6x35	14	29	7	12	27	38	17,5	12,5	-	2,5	43,5	24,9	5,5	156,3	86,5	53	K0098.02
K0662.008000	black grey RAL 7021	3	M8x45	21	39	9	19	32	45	20,6	15,6	-	2,5	41,5	32,7	6,8	184,2	107	62	K0098.04
K0662.010000	black grey RAL 7021	4	M10x55	32	50	8	27	45	64	25,5	18,5	38	3,5	47	38,7	9	223,9	153	95	K0098.06
K0662.012000	black grey RAL 7021	5	M12x70	32	53	10,5	-	45	63	28	21	-	3,5	47	46,7	8,8	242,4	173,5	113,5	K0098.06
K0662.005003	traffic red RAL 3020	2	M5x25	16	25	4,5	14	24	33	13,2	9,2	22	2	22,5	18	4,5	107,4	65,6	35	K0098.02
K0662.006003	traffic red RAL 3020	3	M6x35	14	29	7	12	27	38	17,5	12,5	-	2,5	43,5	24,9	5,5	156,3	86,5	53	K0098.02
K0662.008003	traffic red RAL 3020	3	M8x45	21	39	9	19	32	45	20,6	15,6	-	2,5	41,5	32,7	6,8	184,2	107	62	K0098.04
K0662.010003	traffic red RAL 3020	4	M10x55	32	50	8	27	45	64	25,5	18,5	38	3,5	47	38,7	9	223,9	153	95	K0098.06
K0662.012003	traffic red RAL 3020	5	M12x70	32	53	10,5	-	45	63	28	21	-	3,5	47	46,7	8,8	242,4	173,5	113,5	K0098.06