

Vent screw Form A, without air filter

Item description/product images



Description

Material:

Housing, cap in thermoplastic polyamide 66. Rubber O-ring (NBR).

Version:

Black housing, red cap.

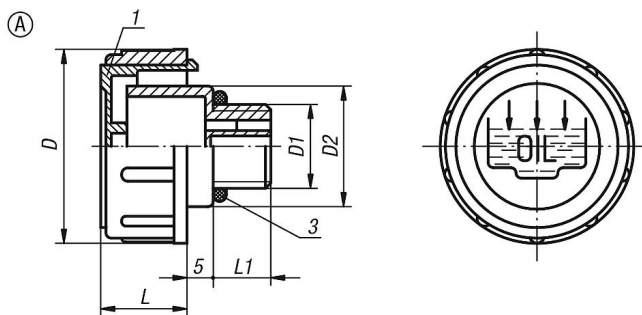
Temperature range:

Temperature resistant with oil up to 100°C.

Drawing reference:

- 1) cap
- 2) O-ring

Drawings



Overview of items

Order No.	Form	D	D1	D2	L	L1
K0457.136038	A	36	G3/8	23	17	11
K0457.141012	A	41	G1/2	28	18	12
K0457.147034	A	47	G3/4	33	17	12
K0457.152100	A	52	G1	38	20	12
K0457.163114	A	63	G1 1/4	49	23	13
K0457.163112	A	63	G1 1/2	55	23	13,5
K0457.1361615	A	36	M16x1,5	23	17	11
K0457.1411815	A	41	M18x1,5	28	17,5	12
K0457.1412015	A	41	M20x1,5	28	17,5	12
K0457.1412215	A	41	M22x1,5	28	17,5	12