

Levelling feet plates extended die-cast zinc

Item description/product images



Description

Material:

Plate die-cast zinc.

Anti-slip plate thermoplastic elastomer.

Version:

Plate black powder-coated.

Note:

Levelling feet consist of a plate and a threaded spindle. Any plate can be combined with any threaded spindle.

The anti-slip plate absorbs vibrations and prevents the levelling foot slipping.

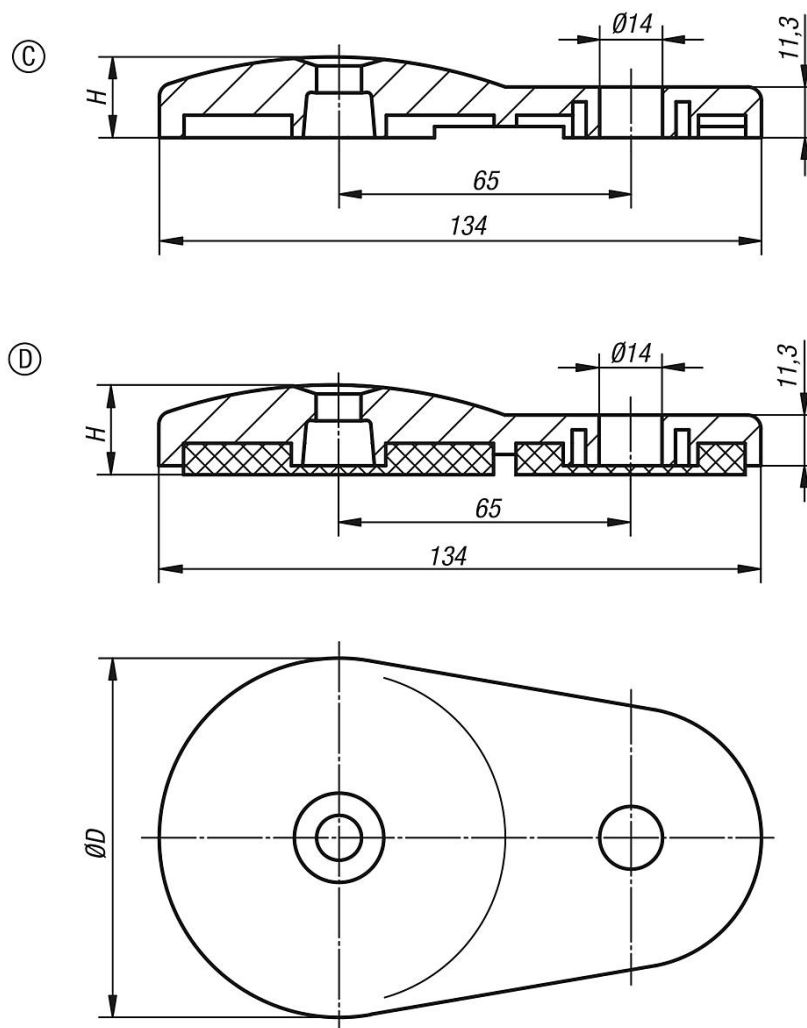
For matching threaded spindles see K0427.

Drawing reference:

Form C with screw-on hole, without anti-slip plate

Form D with screw-on hole, with anti-slip plate

Drawings



Levelling feet plates extended die-cast zinc

Overview of items

Levelling feet plates extended die-cast zinc

| Order No. | Form | D | H | Load rating max. kN |
|-------------|------|----|----|------------------------|
| K0426.30801 | C | 80 | 18 | 35 |
| K0426.40801 | D | 80 | 20 | 35 |