

## Levelling feet plates, Form B

### Item description/product images



### Description

#### Material:

Plate die-cast zinc or stainless steel 1.4305.  
Anti-slip plate thermoplastic elastomer.

#### Version:

Die-cast zinc plate, black powder-coated.  
Stainless steel plate, bright.

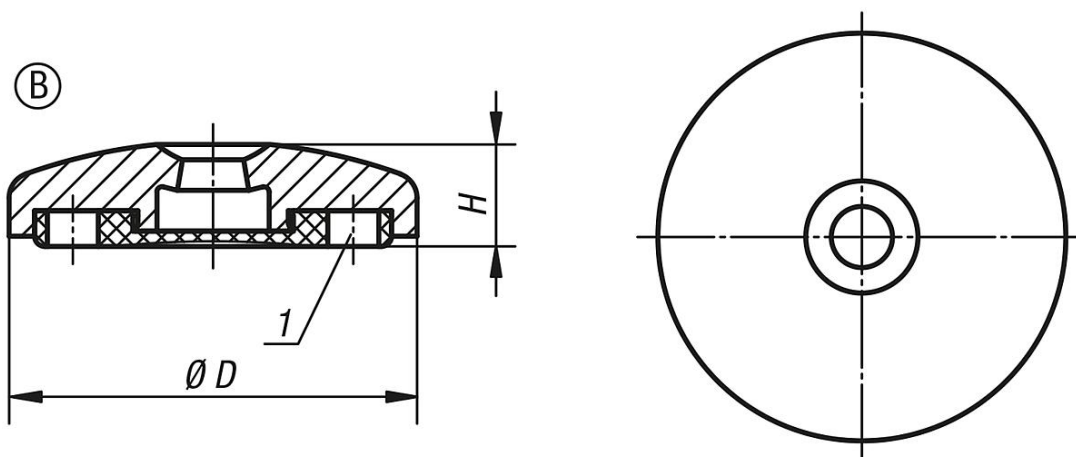
#### Note:

Levelling feet consist of a plate and a threaded spindle. Any plate can be combined with any threaded spindle.

The anti-slip plate absorbs vibrations and prevents the levelling foot slipping.

For matching threaded spindles see K0427.

### Drawings



### Overview of items

Order No.	Form	Main material	D	A	H	Load rating max. kN
K0425.20601	B	zinc	60	-	20	35
K0425.20801	B	zinc	80	-	20	35
K0425.21001	B	zinc	100	-	20	35
K0425.21201	B	zinc	120	-	20	35
K0425.20602	B	stainless steel	60	-	20	45
K0425.20802	B	stainless steel	80	-	20	45
K0425.21002	B	stainless steel	100	-	20	45