

## Swivel feet plates extended plastic

### Item description/product images

---



### Description

**Material:**

Plates, thermoplastic, fibreglass reinforced.

Anti-slip plate thermoplastic elastomer.

**Version:**

Black.

**Note:**

Swivel feet consist of a plate and a threaded spindle or ball joint. Any plate can be combined with any threaded spindle or ball joint. The anti-slip plate absorbs vibrations and prevents the swivel foot slipping.

For matching threaded spindles see K0421.

For matching ball joints see K0422.

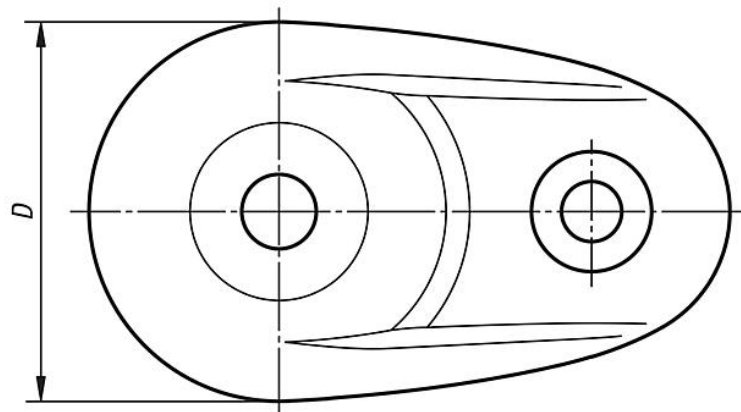
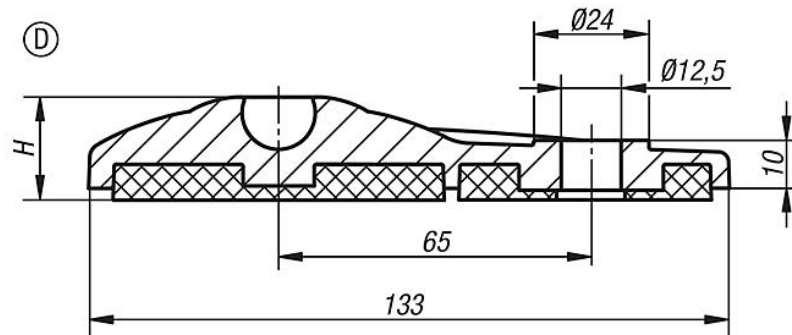
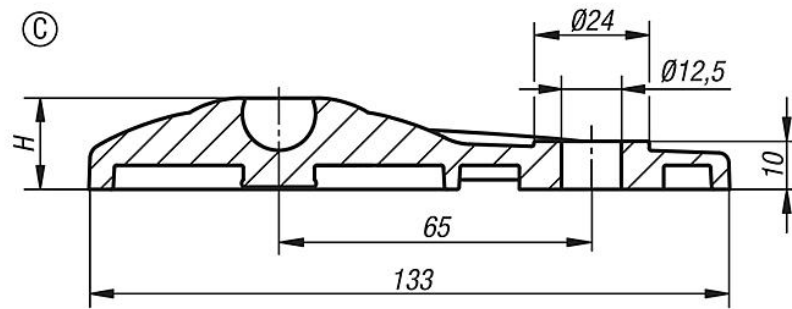
**Drawing reference:**

Form C with screw-on hole, without anti-slip plate

Form D with screw-on hole, with anti-slip plate

Swivel feet plates extended plastic

Drawings



Overview of items

Swivel feet plates extended, plastic

Order No.	Form	D	H	Load rating max. kN
K0654.30803	C	80	19	30
K0654.40803	D	80	21	30

