

Swivel feet plates, Form B

Item description/product images

Description

Material:

Plate die-cast zinc or stainless steel 1.4305.
Anti-slip plate thermoplastic elastomer.

Version:

Die-cast zinc plate, black powder-coated.
Stainless steel plate, bright.

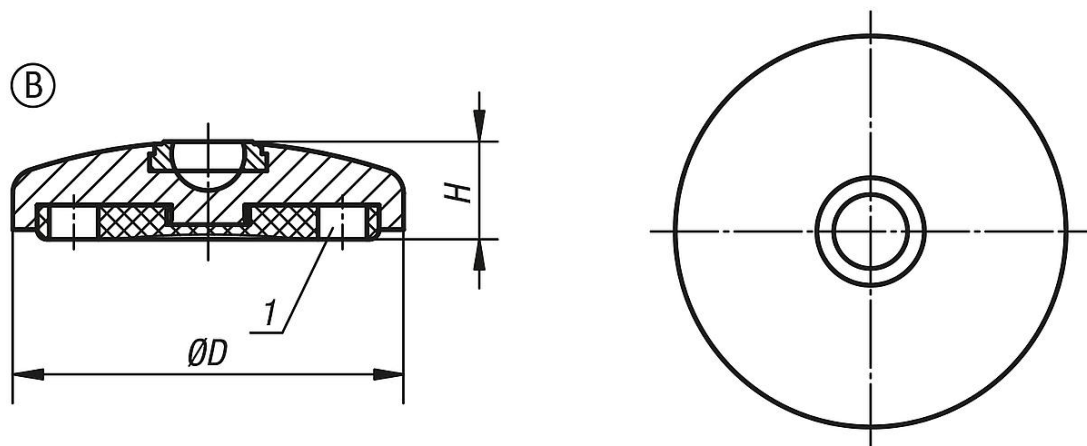
Note:

Swivel feet consist of a plate and a threaded spindle or ball joint. Any plate can be combined with any threaded spindle or ball joint. The anti-slip plate absorbs vibrations and prevents the swivel foot slipping.
For matching threaded spindles see K0421.
For matching ball joints see K0422.

Drawing reference:

1) From plate $\varnothing 80$
Form B without screw-on hole, with anti-slip plate

Drawings



Overview of items

Order No.	Form	Main material	D	A	H	Load rating max. kN
K0416.20401	B	zinc	40	-	20	30
K0416.20601	B	zinc	60	-	20	30
K0416.20802	B	stainless steel	80	-	20	35
K0416.20302	B	stainless steel	30	-	20	20
K0416.20451	B	zinc	45	-	20	30
K0416.20502	B	stainless steel	50	-	20	35
K0416.21202	B	stainless steel	120	-	20	40
K0416.21201	B	zinc	120	-	20	35
K0416.20301	B	zinc	30	-	20	20
K0416.20801	B	zinc	80	-	20	30
K0416.20452	B	stainless steel	45	-	20	30
K0416.21002	B	stainless steel	100	-	20	40
K0416.20501	B	zinc	50	-	20	30
K0416.20602	B	stainless steel	60	-	20	35
K0416.21001	B	zinc	100	-	20	35

Swivel feet plates, Form B**Overview of items**

Order No.	Form	Main material	D	A	H	Load rating max. kN
K0416.20402	B	stainless steel	40	-	20	30