

## Swivel feet plates die-cast zinc or stainless steel

### Item description/product images



### Description

#### Material:

Plate die-cast zinc or stainless steel 1.4305.  
Anti-slip plate thermoplastic elastomer.

#### Version:

Die-cast zinc plate, black powder-coated.  
Stainless steel plate, bright.

#### Note:

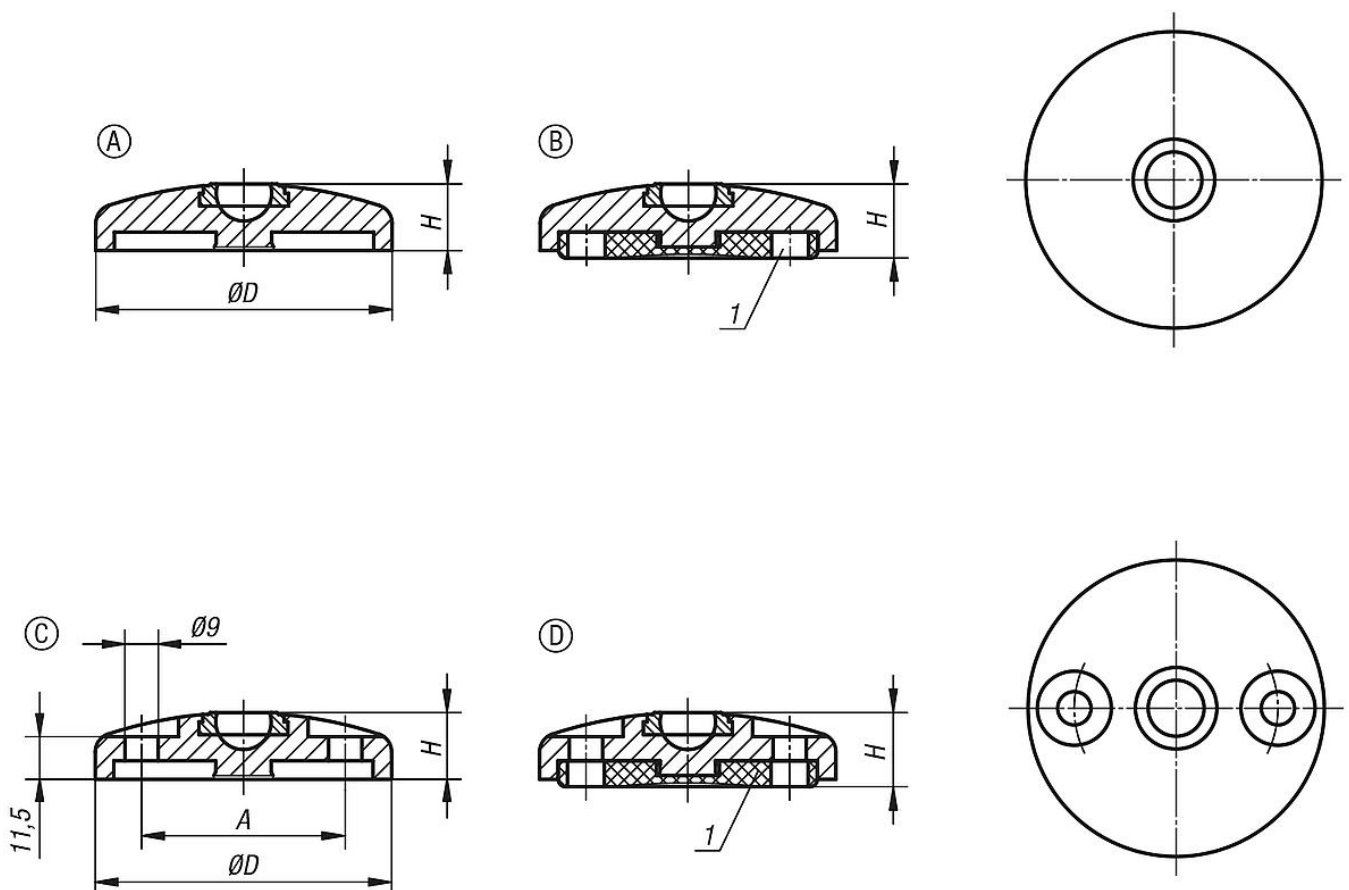
Swivel feet consist of a plate and a threaded spindle or ball joint. Any plate can be combined with any threaded spindle or ball joint. The anti-slip plate absorbs vibrations and prevents the swivel foot slipping.  
For matching threaded spindles see K0421.  
For matching ball joints see K0422.

#### Drawing reference:

Form A without screw-on hole, without anti-slip plate  
Form B without screw-on hole, with anti-slip plate  
Form C with screw-on hole (open), without anti-slip plate  
Form D with screw-on hole (open), with anti-slip plate

1) From plate  $\varnothing 80$

### Drawings



## Swivel feet plates die-cast zinc or stainless steel

### Overview of items

#### Swivel feet plates, die-cast zinc

Order No.	Form	Main material	D	A	H	Load rating max. kN
K0416.10301	A	zinc	30	-	18	20
K0416.10401	A	zinc	40	-	18	30
K0416.10451	A	zinc	45	-	18	30
K0416.10501	A	zinc	50	-	18	30
K0416.10601	A	zinc	60	-	18	30
K0416.10801	A	zinc	80	-	18	30
K0416.11001	A	zinc	100	-	18	35
K0416.11201	A	zinc	120	-	18	35
K0416.10302	A	stainless steel	30	-	18	20
K0416.10402	A	stainless steel	40	-	18	30
K0416.10452	A	stainless steel	45	-	18	30
K0416.10502	A	stainless steel	50	-	18	35
K0416.10602	A	stainless steel	60	-	18	35
K0416.10802	A	stainless steel	80	-	18	35
K0416.11002	A	stainless steel	100	-	18	40
K0416.11202	A	stainless steel	120	-	18	40
K0416.20401	B	zinc	40	-	20	30
K0416.20601	B	zinc	60	-	20	30
K0416.20802	B	stainless steel	80	-	20	35
K0416.20302	B	stainless steel	30	-	20	20
K0416.20451	B	zinc	45	-	20	30
K0416.20502	B	stainless steel	50	-	20	35
K0416.21202	B	stainless steel	120	-	20	40
K0416.21201	B	zinc	120	-	20	35
K0416.20301	B	zinc	30	-	20	20
K0416.20801	B	zinc	80	-	20	30
K0416.20452	B	stainless steel	45	-	20	30
K0416.21002	B	stainless steel	100	-	20	40
K0416.20501	B	zinc	50	-	20	30
K0416.20602	B	stainless steel	60	-	20	35
K0416.21001	B	zinc	100	-	20	35
K0416.20402	B	stainless steel	40	-	20	30
K0416.30801	C	zinc	80	55	18	30
K0416.31001	C	zinc	100	74	18	35
K0416.31201	C	zinc	120	94	18	35
K0416.30802	C	stainless steel	80	55	18	35
K0416.31002	C	stainless steel	100	74	18	40
K0416.31202	C	stainless steel	120	94	18	40
K0416.40801	D	zinc	80	55	20	30
K0416.41001	D	zinc	100	74	20	35
K0416.41201	D	zinc	120	94	20	35
K0416.40802	D	stainless steel	80	55	20	35
K0416.41002	D	stainless steel	100	74	20	40
K0416.41202	D	stainless steel	120	94	20	40