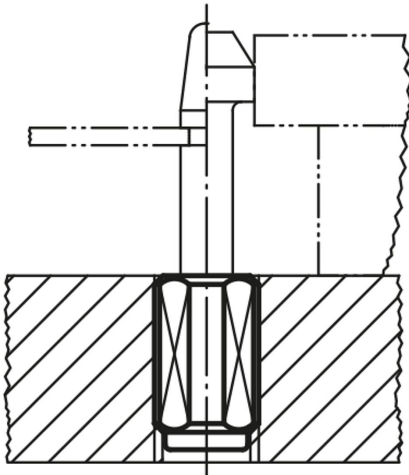


# Lateral spring plungers with threaded sleeve, without thrust pin

## Item description/product images



### Description

**Material:**  
Steel.

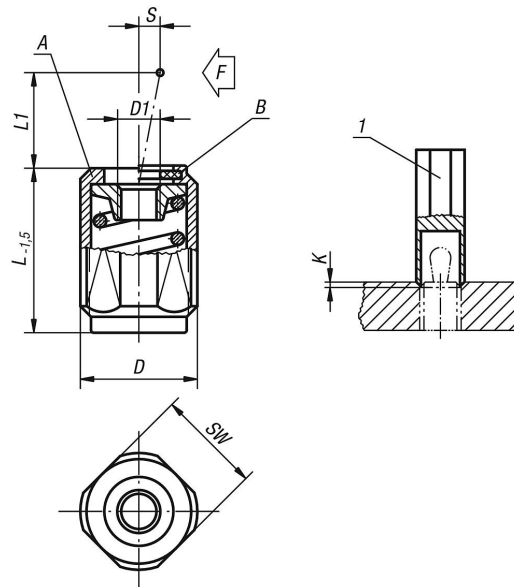
**Version:**  
Sleeve blue electro zinc-plated.  
Washer, hardened and burnished.

**Note:**  
The thrust pin can be made to suit the required circumstances and screwed into the tapped hole in the locating washer.  
The required lateral thrust (F) can be achieved through the stroke (S) and length (L1).  
Form B has a seal to keep swarf and dirt out.

**Drawing reference:**  
Form A: without seal  
Form B: with seal

1) assembly tool

## Drawings



## Overview of items

### Lateral spring plungers with threaded sleeve, without thrust pin

Order No.	Form	D	D1	K	L	L1	±S	SW	F ca.N	Order No. assembly tool
K0372.1020X12	A	M12	M4	2x60°	11,5	4	1,6	10	20	K0371.06
K0372.1020X20	A	M12	M4	2x60°	19	4	1,6	10	20	K0371.06

## Lateral spring plungers with threaded sleeve, without thrust pin

### Overview of items

Order No.	Form	D	D1	K	L	L1	±S	SW	F ca.N	Order No. assembly tool
K0372.1020X27	A	M12	M4	2x60°	26,5	4	1,6	10	20	K0371.06
K0372.1040X12	A	M12	M4	2x60°	11,5	7,5	2	10	40	K0371.06
K0372.1040X20	A	M12	M4	2x60°	19	7,5	2	10	40	K0371.06
K0372.1040X27	A	M12	M4	2x60°	26,5	7,5	2	10	40	K0371.06
K0372.1050X12	A	M12	M4	2x60°	11,5	4	1,6	10	50	K0371.06
K0372.1050X20	A	M12	M4	2x60°	19	4	1,6	10	50	K0371.06
K0372.1050X27	A	M12	M4	2x60°	26,5	4	1,6	10	50	K0371.06
K0372.1075X12	A	M12	M4	2x60°	11,5	7,5	2	10	75	K0371.06
K0372.1075X20	A	M12	M4	2x60°	19	7,5	2	10	75	K0371.06
K0372.1075X27	A	M12	M4	2x60°	26,5	7,5	2	10	75	K0371.06
K0372.1100X12	A	M12	M4	2x60°	11,5	4	1,6	10	100	K0371.06
K0372.1100X20	A	M12	M4	2x60°	19	4	1,6	10	100	K0371.06
K0372.1100X27	A	M12	M4	2x60°	26,5	4	1,6	10	100	K0371.06
K0372.1150X12	A	M12	M4	2x60°	11,5	7,5	2	10	100	K0371.06
K0372.1150X20	A	M12	M4	2x60°	19	7,5	2	10	100	K0371.06
K0372.1150X27	A	M12	M4	2x60°	26,5	7,5	2	10	100	K0371.06
K0372.1100X16	A	M18X1,5	M6	2,5x60°	18	11,5	3,2	16	100	K0371.10
K0372.1100X29	A	M18X1,5	M6	2,5x60°	31,5	11,5	3,2	16	100	K0371.10
K0372.1100X43	A	M18X1,5	M6	2,5x60°	45	11,5	3,2	16	100	K0371.10
K0372.1200X16	A	M18X1,5	M6	2,5x60°	18	11,5	3,2	16	150	K0371.10
K0372.1200X29	A	M18X1,5	M6	2,5x60°	31,5	11,5	3,2	16	150	K0371.10
K0372.1200X43	A	M18X1,5	M6	2,5x60°	45	11,5	3,2	16	150	K0371.10
K0372.1300X16	A	M18X1,5	M6	2,5x60°	18	11,5	3,2	16	200	K0371.10
K0372.1300X29	A	M18X1,5	M6	2,5x60°	31,5	11,5	3,2	16	200	K0371.10
K0372.1300X43	A	M18X1,5	M6	2,5x60°	45	11,5	3,2	16	200	K0371.10
K0372.2020X12	B	M12	M4	2x60°	11,5	4	1,6	10	20	K0371.06
K0372.2020X20	B	M12	M4	2x60°	19	4	1,6	10	20	K0371.06
K0372.2020X27	B	M12	M4	2x60°	26,5	4	1,6	10	20	K0371.06
K0372.2040X12	B	M12	M4	2x60°	11,5	7,5	2	10	40	K0371.06
K0372.2040X20	B	M12	M4	2x60°	19	7,5	2	10	40	K0371.06
K0372.2040X27	B	M12	M4	2x60°	26,5	7,5	2	10	40	K0371.06
K0372.2050X12	B	M12	M4	2x60°	11,5	4	1,6	10	50	K0371.06
K0372.2050X20	B	M12	M4	2x60°	19	4	1,6	10	50	K0371.06
K0372.2050X27	B	M12	M4	2x60°	26,5	4	1,6	10	50	K0371.06
K0372.2075X12	B	M12	M4	2x60°	11,5	7,5	2	10	75	K0371.06
K0372.2075X20	B	M12	M4	2x60°	19	7,5	2	10	75	K0371.06
K0372.2075X27	B	M12	M4	2x60°	26,5	7,5	2	10	75	K0371.06
K0372.2100X12	B	M12	M4	2x60°	11,5	4	1,6	10	100	K0371.06
K0372.2100X20	B	M12	M4	2x60°	19	4	1,6	10	100	K0371.06
K0372.2100X27	B	M12	M4	2x60°	26,5	4	1,6	10	100	K0371.06
K0372.2150X12	B	M12	M4	2x60°	11,5	7,5	2	10	100	K0371.06
K0372.2150X20	B	M12	M4	2x60°	19	7,5	2	10	100	K0371.06
K0372.2150X27	B	M12	M4	2x60°	26,5	7,5	2	10	100	K0371.06
K0372.2100X16	B	M18X1,5	M6	2,5x60°	18	11,5	3,2	16	100	K0371.10
K0372.2100X29	B	M18X1,5	M6	2,5x60°	31,5	11,5	3,2	16	100	K0371.10
K0372.2100X43	B	M18X1,5	M6	2,5x60°	45	11,5	3,2	16	100	K0371.10
K0372.2200X16	B	M18X1,5	M6	2,5x60°	18	11,5	3,2	16	150	K0371.10
K0372.2200X29	B	M18X1,5	M6	2,5x60°	31,5	11,5	3,2	16	150	K0371.10
K0372.2200X43	B	M18X1,5	M6	2,5x60°	45	11,5	3,2	16	150	K0371.10
K0372.2300X16	B	M18X1,5	M6	2,5x60°	18	11,5	3,2	16	200	K0371.10
K0372.2300X29	B	M18X1,5	M6	2,5x60°	31,5	11,5	3,2	16	200	K0371.10
K0372.2300X43	B	M18X1,5	M6	2,5x60°	45	11,5	3,2	16	200	K0371.10