

Safety spiral cables

Item description/product images



Description

Material:

Spiral cable PUR.

Eye copper or stainless steel.

Key ring steel or stainless steel.

Version:

Spiral cable black.

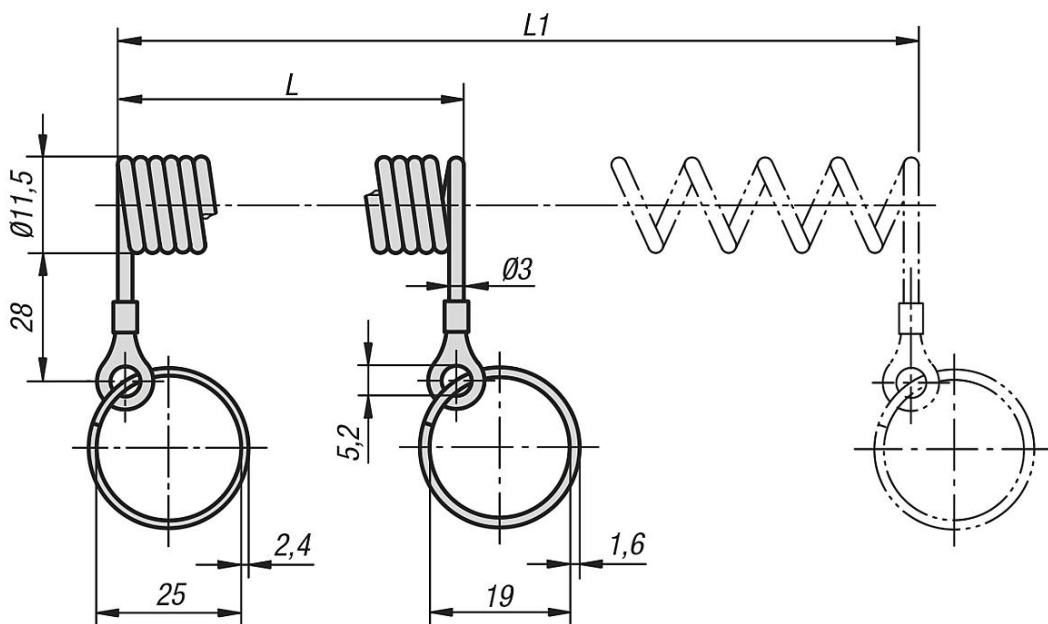
Eye, zinc-plated copper or bright stainless steel.

Key ring, chromed steel or bright stainless steel.

Note:

Elastic spiral cable to secure equipment parts. Very good reset force, robust and wear-resistant.

Drawings



Overview of items

Safety spiral cable

Order No.	Key Rings	L	L1
K0367.10100	steel	100	500
K0367.10200	steel	200	1000
K0367.20100	stainless steel	100	500
K0367.20200	stainless steel	200	1000

