

Spring plungers push-pull with rotation lock

Item description/product images



Description

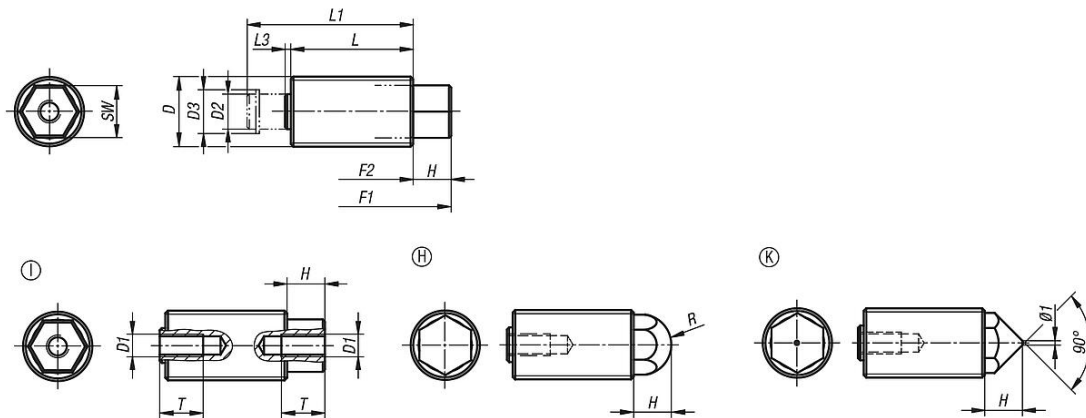
Material:
Steel.

Version:
Threaded sleeve trivalent blue passivated.
Screw case hardened and black oxidised.
Spring strength - standard or intensified.

Note:

The push-pull spring plungers, also called two-way spring plungers are used to engage, position or clamp various components. The hexagonal tapped pin which cannot rotate can be used for traction or thrust.

Drawings



Overview of items

Push-Pull spring plungers with rotation lock

Order No.	Form	Spring strength	D	D1	D2	D3	F1 N	F2 N	H	L	L1	L3	R	SW	T min.
K0977.1112	I	standard	M12X1,5	M4	5,5	6,78	16	38	6,12	20	27,5	1,38	-	8	8
K0977.1116	I	standard	M16x1,5	M5	8	10	25	71	8,7	28	38	1,3	-	11	10
K0977.1120	I	standard	M20X1,5	M6	10	12,2	40	140	10,3	34	47	2,7	-	14	12
K0977.1212	I	intensified	M12X1,5	M4	5,5	6,78	20	60	6,12	20	27,5	1,38	-	8	8
K0977.1216	I	intensified	M16x1,5	M5	8	10	35	103	8,7	28	38	1,3	-	11	10
K0977.1220	I	intensified	M20X1,5	M6	10	12,2	60	175	10,3	34	47	2,7	-	14	12
K0977.2112	H	standard	M12X1,5	M4	5,5	6,78	16	38	6,12	20	27,5	1,38	5,5	8	8
K0977.2116	H	standard	M16x1,5	M5	8	10	25	71	8,7	28	38	1,3	7	11	10
K0977.2120	H	standard	M20X1,5	M6	10	12,2	40	140	10,3	34	47	2,7	9	14	12
K0977.2212	H	intensified	M12X1,5	M4	5,5	6,78	20	60	6,12	20	27,5	1,38	5,5	8	8
K0977.2216	H	intensified	M16x1,5	M5	8	10	35	103	8,7	28	38	1,3	7	11	10
K0977.2220	H	intensified	M20X1,5	M6	10	12,2	60	175	10,3	34	47	2,7	9	14	12
K0977.3112	K	standard	M12X1,5	M4	5,5	6,78	16	38	6,12	20	27,5	1,38	-	8	8
K0977.3116	K	standard	M16x1,5	M5	8	10	25	71	8,7	28	38	1,3	-	11	10
K0977.3120	K	standard	M20X1,5	M6	10	12,2	40	140	10,3	34	47	2,7	-	14	12
K0977.3212	K	intensified	M12X1,5	M4	5,5	6,78	20	60	6,12	20	27,5	1,38	-	8	8
K0977.3216	K	intensified	M16x1,5	M5	8	10	35	103	8,7	28	38	1,3	-	11	10
K0977.3220	K	intensified	M20X1,5	M6	10	12,2	60	175	10,3	34	47	2,7	-	14	12

Spring plungers push-pull with rotation lock



Overview of items
