

Pull handles, plastic, antibacterial

Item description/product images



Description

Material:

Thermoplastic PA (polyamide) reinforced.

Version:

slate grey.

Note:

The fastening hole is designed to accept the head of a cap or hexagon head screw or a hexagon nut.

Application:

The antibacterial KIPP MEDI grip products are highly effective against a variety of hazardous microorganisms, such as bacteria, fungi and even multi-resistant bacteria (e.g. MRSA).

The plastic used incorporates micro-silver particles with an antimicrobial effect to ensure effective results throughout the entire product life cycle.

Function:

The growth of harmful micro-organisms on the product surface is effectively disrupted by means of silver ions, and the existing germs on MEDI grip products are consistently reduced (as tested and confirmed by an accredited testing laboratory). During cleaning cycles the risk of infection through touching these products is significantly lower.

Assembly:

From the front or rear.

Advantages:

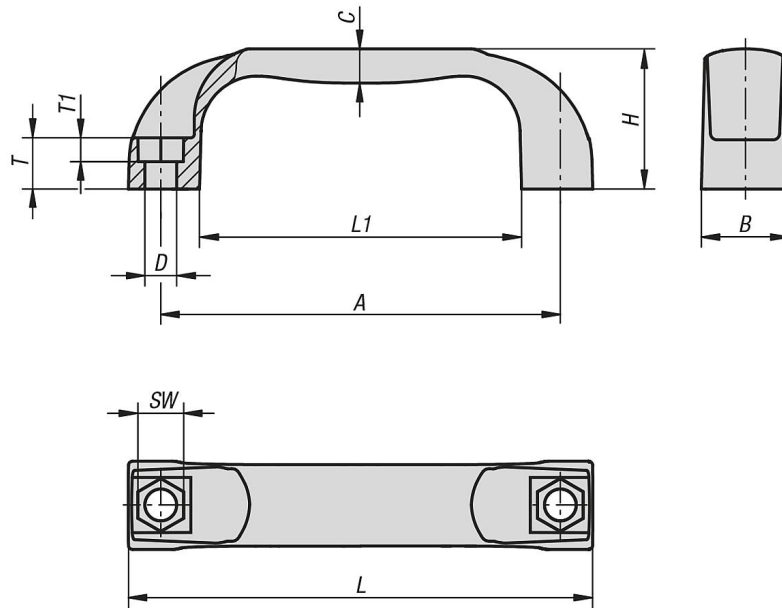
Resistant to humidity and cleaning products (during disinfection) with no toxic side effects.

Applications:

For installation on machines, equipment, plants and furnishings in areas with increased hygienic requirements (including hospitals, doctors' surgeries, rehabilitation centres and food production facilities), as well as for use in public areas or regularly frequented institutions (i.e. nursing homes or daycare centres).

Pull handles, plastic, antibacterial

Drawings



Overview of items

Order No.	Main colour	A	B	C	D	H	L	L1	SW	T	T1	Load capacity N
K0190.1211708144	slate grey RAL 7015	117	26	10	9	41	136	94	13	15	8	1500
K0190.1215008144	slate grey RAL 7015	150	27	11	9	44	172	132	13	16	8	1500