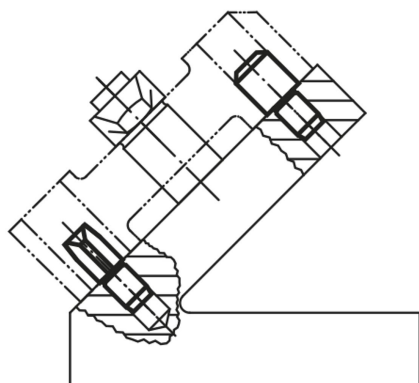
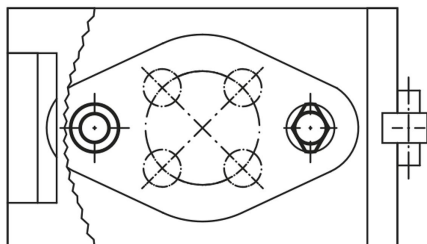


Locating pins and rest pads DIN 6321

Item description/product images



Description

Material:

Tool steel.

Version:

Hardened and ground.

Note:

Rest pads Form A are supports for workpieces and fixtures.

Locating pins Form B are for positioning workpieces and fixture components in reamed holes.

The flattened Form C can be used to bridge tolerances in hole spacing or to secure the part to be positioned in one direction only.

Form A and B can also be used as hardened stops and as fixture feet.

For similar pins see K0352, K0353, K0354 and K0355.

Drawing reference:

Form A: Rest pad

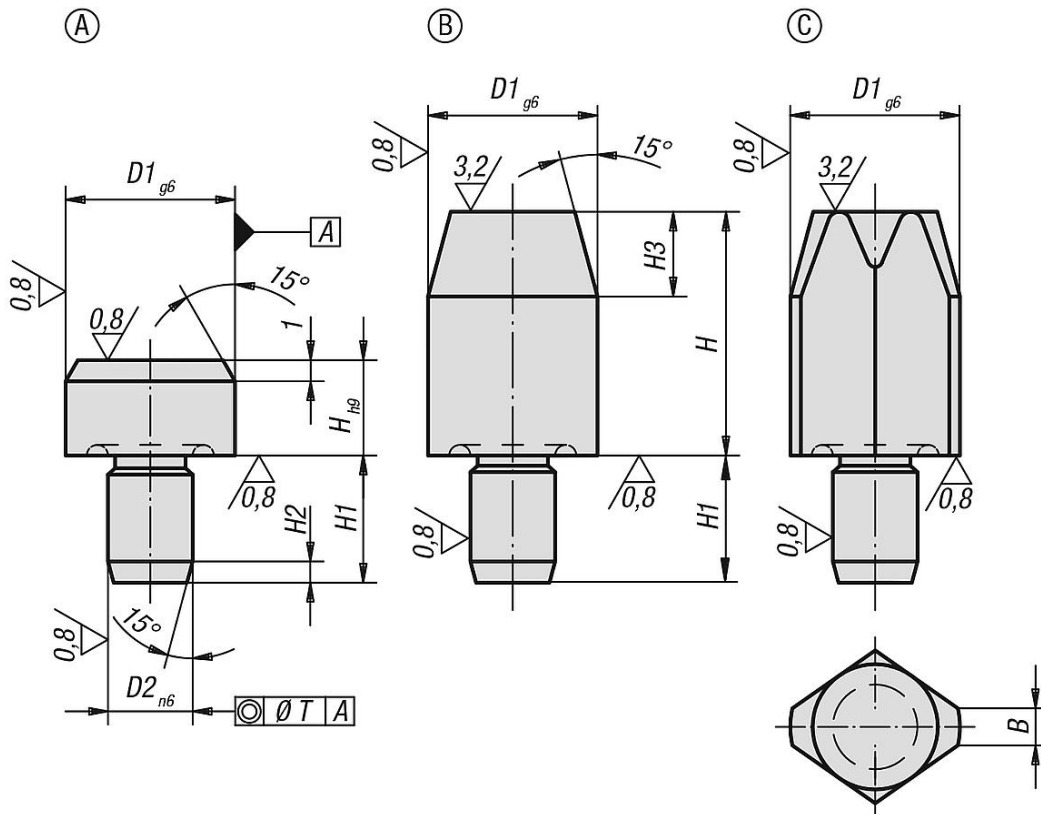
Form B: Cylindrical locating pin

Form C: Flattened locating pin

For other dimensions see Form A.

Locating pins and rest pads DIN 6321

Drawings



Overview of items

Locating pins and rest pads DIN 6321

Order No.	Form	Version 1	B	D1	D2	H	H1	H2	H3	T
K0293.106	A	without centre bore	-	6	4	5	6	1,2	-	0,02
K0293.110	A	without centre bore	-	10	6	6	9	1,6	-	0,02
K0293.116	A	without centre bore	-	16	8	8	12	2	-	0,04
K0293.125	A	without centre bore	-	25	12	10	18	2,5	-	0,04
K0293.206	B	short	-	6	4	7	6	1,2	4	0,02
K0293.208	B	short	-	8	6	10	9	1,6	6	0,02
K0293.210	B	short	-	10	6	10	9	1,6	6	0,02
K0293.212	B	short	-	12	6	10	9	1,6	6	0,02
K0293.216	B	short	-	16	8	13	12	2	8	0,04
K0293.220	B	short	-	20	12	15	18	2	9	0,04
K0293.225	B	short	-	25	12	15	18	2,5	9	0,04
K0293.306	B	long	-	6	4	12	6	1,2	4	0,02
K0293.308	B	long	-	8	6	16	9	1,6	6	0,02
K0293.310	B	long	-	10	6	18	9	1,6	6	0,02
K0293.312	B	long	-	12	6	18	9	1,6	6	0,02
K0293.316	B	long	-	16	8	22	12	2	8	0,04
K0293.320	B	long	-	20	12	25	18	2	9	0,04
K0293.325	B	long	-	25	12	25	18	2,5	9	0,04
K0293.406	C	short	1	6	4	7	6	1,2	4	0,02
K0293.408	C	short	1,6	8	6	10	9	1,6	6	0,02
K0293.410	C	short	2,5	10	6	10	9	1,6	6	0,02
K0293.412	C	short	2,5	12	6	10	9	1,6	6	0,02
K0293.416	C	short	3,5	16	8	13	12	2	8	0,04
K0293.420	C	short	5	20	12	15	18	2	9	0,04
K0293.425	C	short	5	25	12	15	18	2,5	9	0,04
K0293.506	C	long	1	6	4	12	6	1,2	4	0,02

Locating pins and rest pads DIN 6321

Overview of items

Order No.	Form	Version 1	B	D1	D2	H	H1	H2	H3	T
K0293.508	C	long	1,6	8	6	16	9	1,6	6	0,02
K0293.510	C	long	2,5	10	6	18	9	1,6	6	0,02
K0293.512	C	long	2,5	12	6	18	9	1,6	6	0,02
K0293.516	C	long	3,5	16	8	22	12	2	8	0,04
K0293.520	C	long	5	20	12	25	18	2	9	0,04
K0293.525	C	long	5	25	12	25	18	2,5	9	0,04