

Cam levers, steel with internal or external thread, plastic thrust washer and steel stud

Item description/product images



Description

Material:

Handle steel 1.0401.
 Thrust washer plastic PA 66 GF 35-X fibreglass reinforced.
 Hinge pin stainless steel 1.4305.
 Stud and washer steel, grade 5.8.

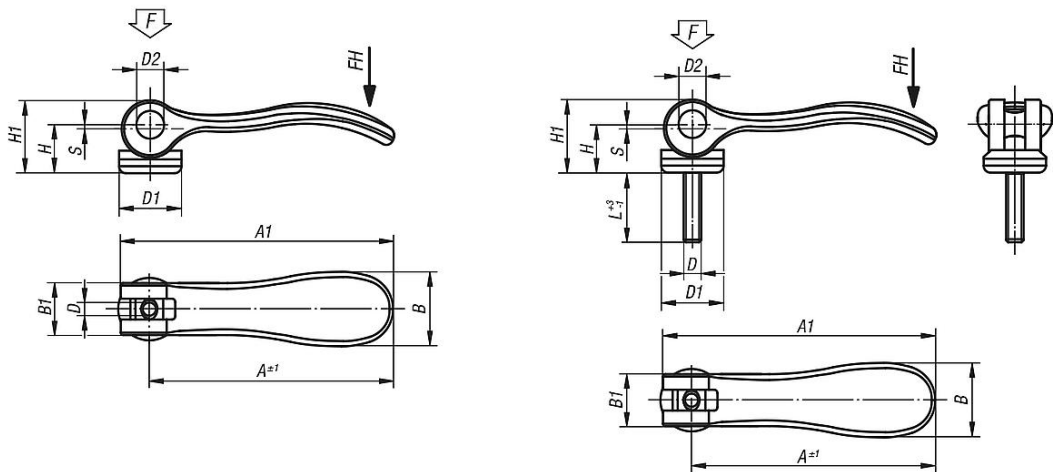
Version:

Handle, stud and washer trivalent blue-passivated.
 Thrust washer black.
 Hinge pin bright.

Note:

Plastics are subject to creeping under load (retardation).

Drawings



Overview of items

Cam levers with internal thread, steel

Order No.	Component material	D	D1	D2	B	B1	H	H1	A	A1	Travel S	Clamping force F (kN)	Hand force FH N
K0788.1502205	steel	M5	18,1	9	21,5	15	14,5	22	70,4	79,2	1,2	4	120
K0788.1502206	steel	M6	18,1	9	21,5	15	14,5	22	70,4	79,2	1,2	4	120
K0788.2502208	steel	M8	27,1	11	33,2	24	18	28,5	96	108	1,5	8	350

Cam levers with external thread, steel

Order No.	Component material	D	D1	D2	B	B1	H	H1	A	A1	L	Travel S	Clamping force F (kN)	Hand force FH N
K0788.1502205X	steel	M5	18,1	9	21,5	15	14,5	22	70,4	79,2	20	1,2	4	120
K0788.1502205X	steel	M5	18,1	9	21,5	15	14,5	22	70,4	79,2	30	1,2	4	120
K0788.1502205X	steel	M5	18,1	9	21,5	15	14,5	22	70,4	79,2	40	1,2	4	120
K0788.1502205X	steel	M5	18,1	9	21,5	15	14,5	22	70,4	79,2	50	1,2	4	120

Cam levers, steel with internal or external thread, plastic thrust washer and steel stud

Overview of items

Order No.	Component material	D	D1	D2	B	B1	H	H1	A	A1	L	Travel S	Clamping force F (kN)	Hand force FH N
K0788.1502206X	steel	M6	18,1	9	21,5	15	14,5	22	70,4	79,2	20	1,2	4	120
K0788.1502206X	steel	M6	18,1	9	21,5	15	14,5	22	70,4	79,2	30	1,2	4	120
K0788.1502206X	steel	M6	18,1	9	21,5	15	14,5	22	70,4	79,2	40	1,2	4	120
K0788.1502206X	steel	M6	18,1	9	21,5	15	14,5	22	70,4	79,2	50	1,2	4	120
K0788.2502208X	steel	M8	27,1	11	33,2	24	18	28,5	96	108	25	1,5	8	350
K0788.2502208X	steel	M8	27,1	11	33,2	24	18	28,5	96	108	30	1,5	8	350
K0788.2502208X	steel	M8	27,1	11	33,2	24	18	28,5	96	108	40	1,5	8	350
K0788.2502208X	steel	M8	27,1	11	33,2	24	18	28,5	96	108	50	1,5	8	350
K0788.2502210X	steel	M10	27,1	11	33,2	24	18	28,5	96	108	25	1,5	8	350
K0788.2502210X	steel	M10	27,1	11	33,2	24	18	28,5	96	108	30	1,5	8	350
K0788.2502210X	steel	M10	27,1	11	33,2	24	18	28,5	96	108	40	1,5	8	350
K0788.2502210X	steel	M10	27,1	11	33,2	24	18	28,5	96	108	50	1,5	8	350