

## Crank handles with fold-down grip

### Item description/product images



### Description

#### Material:

Crank thermoplastic.  
Cylinder grip thermoplastic and steel.

#### Version:

Black grey thermoplastic.  
Steel parts black oxidised.

#### Note:

The hub cover is supplied unassembled.  
The crank handles can be secured to the shaft by cross-pinning or by parallel key together with a DIN 6912 socket head screw and DIN 7349 washer.  
Versions with transverse bore are secured using the ISO 4027 (DIN 914) grub screw.

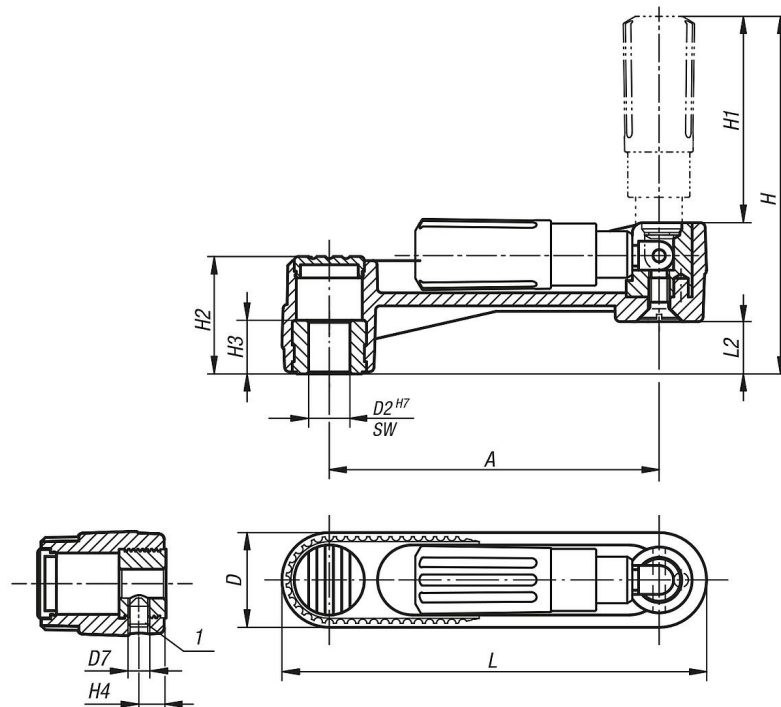
#### Accessory:

K1160 cap screws screws, low head DIN 6912.

#### Drawing reference:

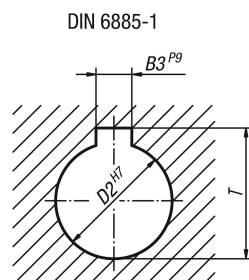
1) Position of the transverse bore to the keyway is offset by 90°.

### Drawings



# Crank handles with fold-down grip

## Drawings



## Overview of items

### Crank handles with fold-down grip

Order No.	Version 1	Version 2	A	D	D2	D7	H	H1	H2	H3	H4	L	L2	B3	SW	T
K0266.1108	reamed hole	without transverse hole	80	24	8	-	85,7	49	28,5	13	-	104	12,7	-	-	-
K0266.1110	reamed hole	without transverse hole	80	24	10	-	85,7	49	28,5	13	-	104	12,7	-	-	-
K0266.1210	reamed hole	without transverse hole	100	29	10	-	105,2	49	35,5	13	-	129	15,7	-	-	-
K0266.1212	reamed hole	without transverse hole	100	29	12	-	105,2	59,5	35,5	13	-	129	15,7	-	-	-
K0266.1312	reamed hole	without transverse hole	125	36	12	-	140	83	44	18,5	-	161	19,5	-	-	-
K0266.1314	reamed hole	without transverse hole	125	36	14	-	140	83	44	18,5	-	161	19,5	-	-	-
K0266.11086	reamed hole	with transverse bore	80	24	8	M6	85,7	49	28,5	13	7,5	104	12,7	-	-	-
K0266.11106	reamed hole	with transverse bore	80	24	10	M6	85,7	49	28,5	13	7,5	104	12,7	-	-	-
K0266.12106	reamed hole	with transverse bore	100	29	10	M6	105,2	59,5	35,5	13	7,5	129	15,7	-	-	-
K0266.12126	reamed hole	with transverse bore	100	29	12	M6	105,2	59,5	35,5	13	7,5	129	15,7	-	-	-
K0266.13126	reamed hole	with transverse bore	125	36	12	M6	140	83	44	18,5	7,5	161	19,5	-	-	-
K0266.13146	reamed hole	with transverse bore	125	36	14	M6	140	83	44	18,5	7,5	161	19,5	-	-	-
K0266.110802	reamed hole with slot	without transverse hole	80	24	8	-	85,7	49	28,5	13	-	104	12,7	2	-	9
K0266.111003	reamed hole with slot	without transverse hole	80	24	10	-	85,7	49	28,5	13	-	104	12,7	3	-	11,4
K0266.121003	reamed hole with slot	without transverse hole	100	29	10	-	105,2	59,5	35,5	13	-	129	15,7	3	-	11,4
K0266.121204	reamed hole with slot	without transverse hole	100	29	12	-	105,2	59,5	35,5	13	-	129	15,7	4	-	13,8
K0266.131204	reamed hole with slot	without transverse hole	125	36	12	-	140	83	44	18,5	-	161	19,5	4	-	13,8
K0266.131405	reamed hole with slot	without transverse hole	125	36	14	-	140	83	44	18,5	-	161	19,5	5	-	16,3
K0266.1108026	reamed hole with slot	with transverse bore	80	24	8	M6	85,7	49	28,5	13	7,5	104	12,7	2	-	9
K0266.1110036	reamed hole with slot	with transverse bore	80	24	10	M6	85,7	49	28,5	13	7,5	104	12,7	3	-	11,4
K0266.1210036	reamed hole with slot	with transverse bore	100	29	10	M6	105,2	59,5	35,5	13	7,5	129	15,7	3	-	11,4
K0266.1212046	reamed hole with slot	with transverse bore	100	29	12	M6	105,2	59,5	35,5	13	7,5	129	15,7	4	-	13,8
K0266.1312046	reamed hole with slot	with transverse bore	125	36	12	M6	140	83	44	18,5	7,5	161	19,5	4	-	13,8
K0266.1314056	reamed hole with slot	with transverse bore	125	36	14	M6	140	83	44	18,5	7,5	161	19,5	5	-	16,3
K0266.2108	square socket	without transverse hole	80	24	-	-	85,7	49	28,5	13	-	104	12,7	-	8	-
K0266.2110	square socket	without transverse hole	80	24	-	-	85,7	49	28,5	13	-	104	12,7	-	10	-
K0266.2210	square socket	without transverse hole	100	29	-	-	105,2	59,5	35,5	13	-	129	15,7	-	10	-
K0266.2212	square socket	without transverse hole	100	29	-	-	105,2	59,5	35,5	13	-	129	15,7	-	12	-
K0266.2312	square socket	without transverse hole	125	36	-	-	140	83	44	18,5	-	161	19,5	-	12	-
K0266.2314	square socket	without transverse hole	125	36	-	-	140	83	44	18,5	-	161	19,5	-	14	-
K0266.21086	square socket	with transverse bore	80	24	-	M6	85,7	49	28,5	13	7,5	104	12,7	-	8	-
K0266.21106	square socket	with transverse bore	80	24	-	M6	85,7	49	28,5	13	7,5	104	12,7	-	10	-
K0266.22106	square socket	with transverse bore	100	29	-	M6	105,2	59,5	35,5	13	7,5	129	15,7	-	10	-
K0266.22126	square socket	with transverse bore	100	29	-	M6	105,2	59,5	35,5	13	7,5	129	15,7	-	12	-
K0266.23126	square socket	with transverse bore	125	36	-	M6	140	83	44	18,5	7,5	161	19,5	-	12	-
K0266.23146	square socket	with transverse bore	125	36	-	M6	140	83	44	18,5	7,5	161	19,5	-	14	-