

## Tubular handles, aluminium with plastic tube holders

### Item description/product images



### Description

#### Material:

Legs and tube cap glass-bead reinforced polyamide.  
Grip aluminium EN AW-6060.

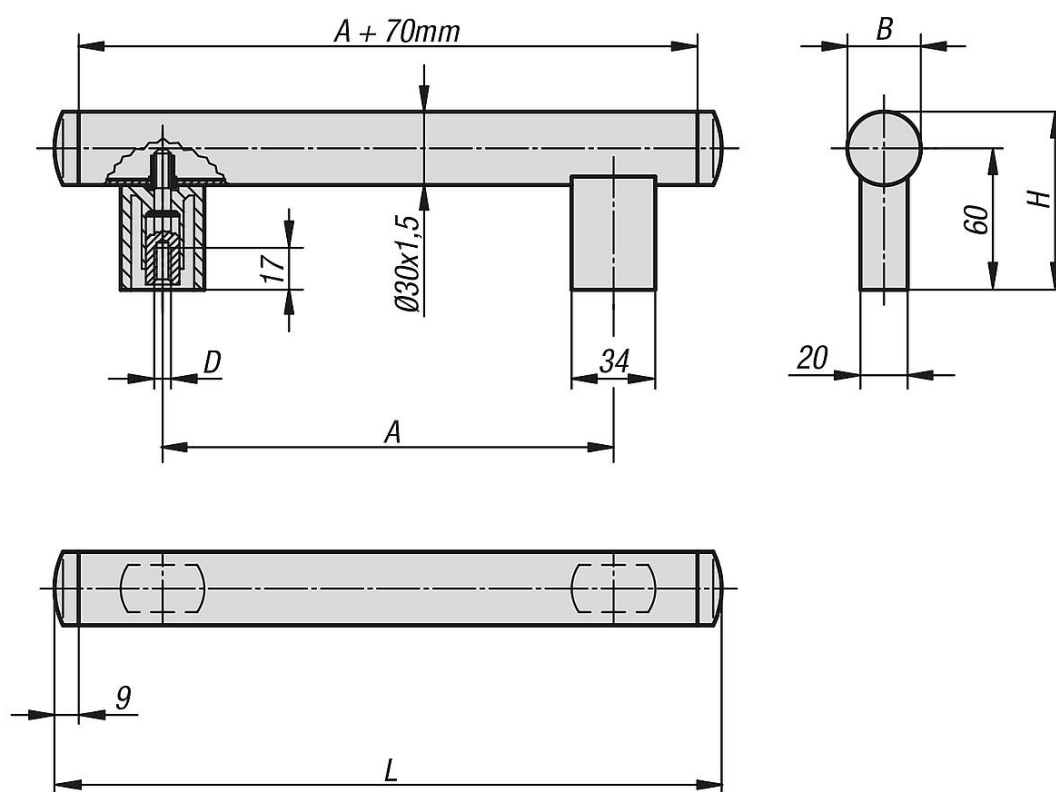
#### Version:

Grip finely ground and anodised black or natural tone.  
Legs and tube cap semi-matt with fine texture, black.

#### Note:

The legs and tube are fastened together with pull-out resistant rivet nuts.

### Drawings



### Overview of items

#### Tubular handles

Order No.	Main colour	A	B	D	H	L	Load capacity N
K0224.200061	black anodised	200	30	M6	75	288	800
K0224.250061	black anodised	250	30	M6	75	338	800
K0224.300061	black anodised	300	30	M6	75	388	800
K0224.400061	black anodised	400	30	M6	75	488	800
K0224.500061	black anodised	500	30	M6	75	588	800
K0224.200063	natural anodised	200	30	M6	75	288	800
K0224.250063	natural anodised	250	30	M6	75	338	800
K0224.300063	natural anodised	300	30	M6	75	388	800

## Tubular handles, aluminium with plastic tube holders

### Overview of items

Order No.	Main colour	A	B	D	H	L	Load capacity N
K0224.400063	natural anodised	400	30	M6	75	488	800
K0224.500063	natural anodised	500	30	M6	75	588	800