

Tubular handles, aluminium or stainless steel with plastic legs and slanted both sides

Item description/product images



Description

Material:

Legs black glass-bead reinforced thermoplastic.
Grip aluminium EN AW-6060 or stainless steel 1.4301.

Version:

Connecting tube aluminium, ground and natural tone anodised or with serrated plastic cover.
Connecting tube stainless steel, fine ground.

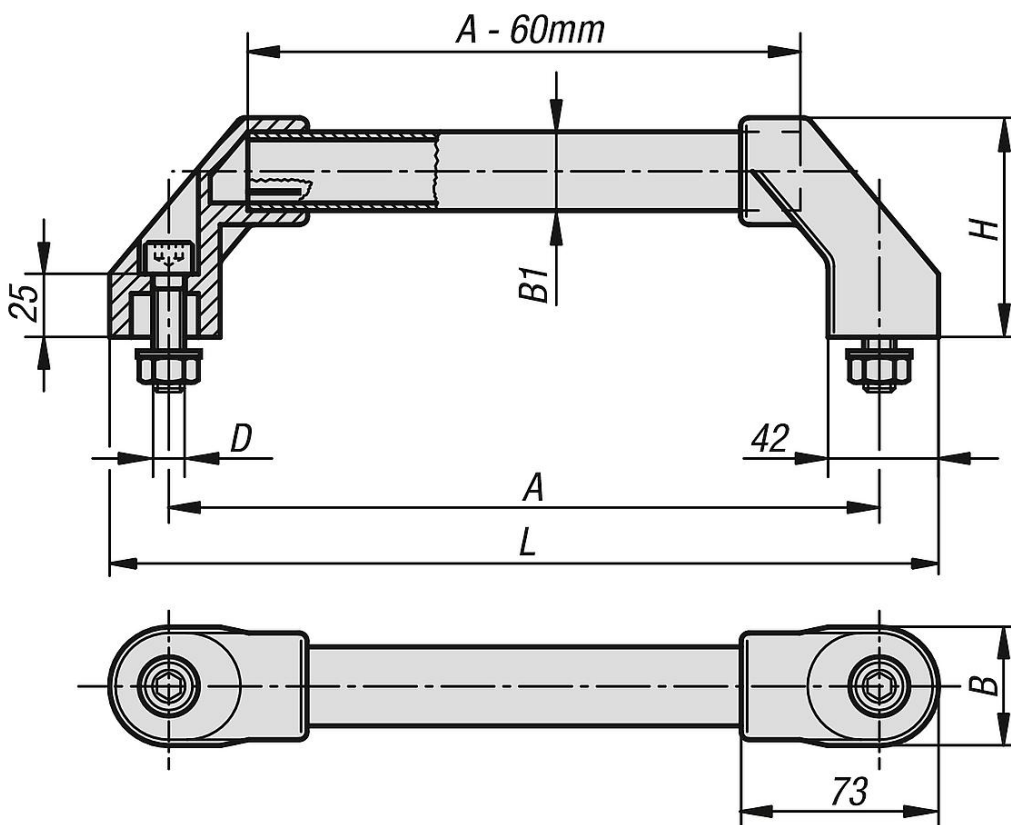
Note:

The legs have 4 webs in the hole for the grip tube. When pushing the tube in these are trimmed off and produce a precise seating.
Black electro zinc-plated fastening screws together with washers and nuts are supplied.

Assembly:

From the front.

Drawings



Overview of items

Tubular handles

Tubular handles, aluminium or stainless steel with plastic grip legs and slanted both sides

Overview of items

Order No.	Main material	Surface finish body	A	B	B1	D	H	L	Load capacity N
K0222.2501	aluminium	ground and anodized	250	44	30X1,5	M10x45	80	294	1000
K0222.3001	aluminium	ground and anodized	300	44	30X1,5	M10x45	80	344	1000
K0222.3501	aluminium	ground and anodized	350	44	30X1,5	M10x45	80	394	1000
K0222.4001	aluminium	ground and anodized	400	44	30X1,5	M10x45	80	444	1000
K0222.5001	aluminium	ground and anodized	500	44	30X1,5	M10x45	80	544	1000
K0222.6001	aluminium	ground and anodized	600	44	30X1,5	M10x45	80	644	1000
K0222.2502	aluminium	serrated plastic sleeve	250	44	30X1,5	M10x45	80	294	1000
K0222.3002	aluminium	serrated plastic sleeve	300	44	30X1,5	M10x45	80	344	1000
K0222.3502	aluminium	serrated plastic sleeve	350	44	30X1,5	M10x45	80	394	1000
K0222.4002	aluminium	serrated plastic sleeve	400	44	30X1,5	M10x45	80	444	1000
K0222.5002	aluminium	serrated plastic sleeve	500	44	30X1,5	M10x45	80	544	1000
K0222.6002	aluminium	serrated plastic sleeve	600	44	30X1,5	M10x45	80	644	1000
K0222.2503	stainless steel	-	250	44	30X1,5	M10x45	80	294	1000
K0222.3003	stainless steel	-	300	44	30X1,5	M10x45	80	344	1000
K0222.3503	stainless steel	-	350	44	30X1,5	M10x45	80	394	1000
K0222.4003	stainless steel	-	400	44	30X1,5	M10x45	80	444	1000
K0222.5003	stainless steel	-	500	44	30X1,5	M10x45	80	544	1000
K0222.6003	stainless steel	-	600	44	30X1,5	M10x45	80	644	1000