

Pull handles, plastic, oblique

Item description/product images



Description

Material:

Grip glass-bead reinforced thermoplastic.
Bushing brass.

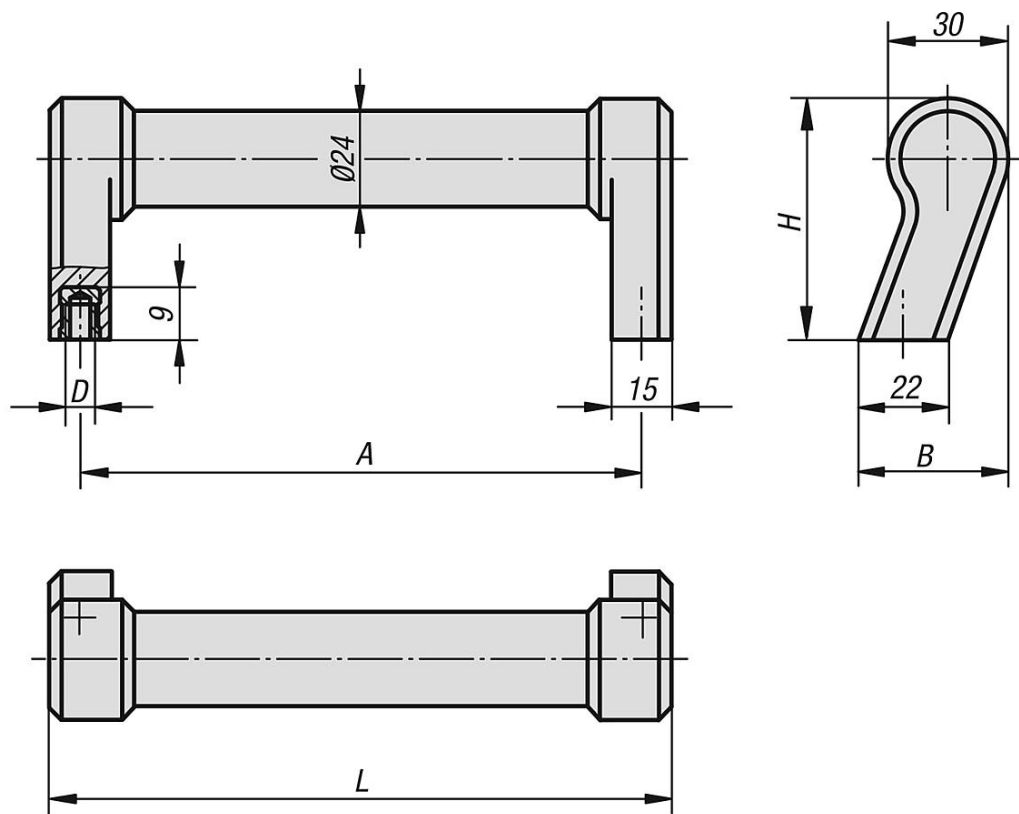
Version:

Matt black or light grey

Note:

Oblique, robust polyamide handle. Tube and legs form one unit. The oblique contact faces allow mounting under cramped conditions e.g. in corners.

Drawings



Overview of items

Pull handles, oblique

Order No.	Main colour	A	B	D	H	L	Load capacity N
K0197.140061	black grey RAL 7021	140	37	M6	60	155	1000
K0197.140062	light grey RAL 7035	140	37	M6	60	155	1000

