

# Disc handwheels with revolving grip, steel parts stainless steel, Form D, pre-drilled

Item description/product images



## Description

### Material:

Black thermoset PF 31.

Hub and revolving grip 1.4305 stainless steel bright.

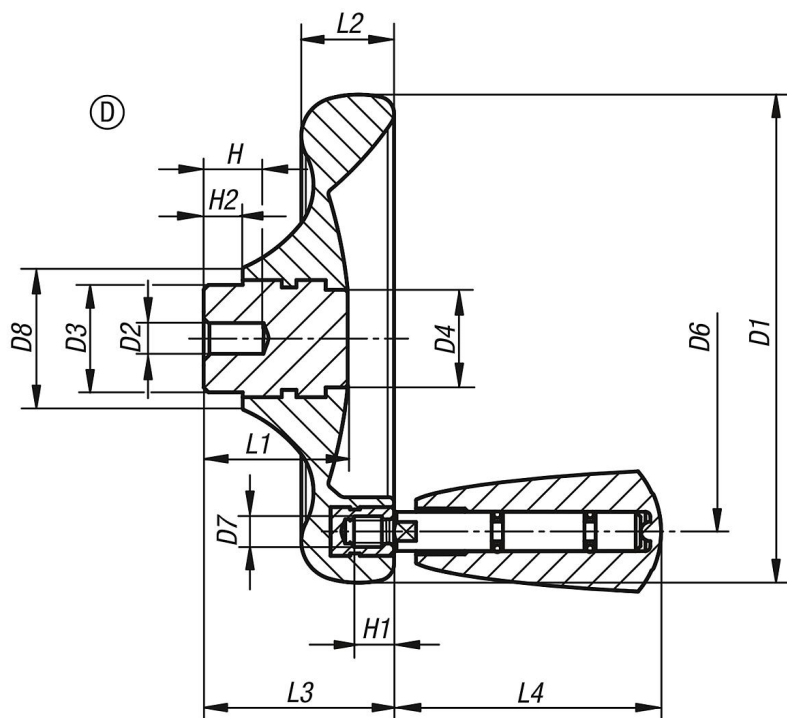
### Version:

High-gloss polished.

### Note:

The handwheel is supplied with the grip loose.

## Drawings



## Overview of items

Order No.	Form	Form definition	Steel parts material	D1	D2	D3	D4	D6	D7	D8	H	H1	H2	L1	L2	L3	L4
K0164.2100X06	D	pre-drilled	stainless steel 1.4305	100	6	22	20	79	M6	29	12	9	8	29,5	19	39	54,7
K0164.2125X08	D	pre-drilled	stainless steel 1.4305	125	8	26	21	101	M6	34	15	9	8	34	24	46	54,7
K0164.2140X08	D	pre-drilled	stainless steel 1.4305	140	8	30	25	110	M8	39	16	12	8	38,5	27	52	82,2
K0164.2160X10	D	pre-drilled	stainless steel 1.4305	160	10	33	30	128	M8	43	20	12	8	41,3	30,1	57	82,2

**Disc handwheels with revolving grip, steel parts stainless steel, Form D,  
pre-drilled**

Overview of items

---