

## Palm grips soft, Form K

### Item description/product images



### Description

#### Material:

Body hard thermoplastic.  
Coating soft thermoplastic.  
Bush or screw steel 5.8.

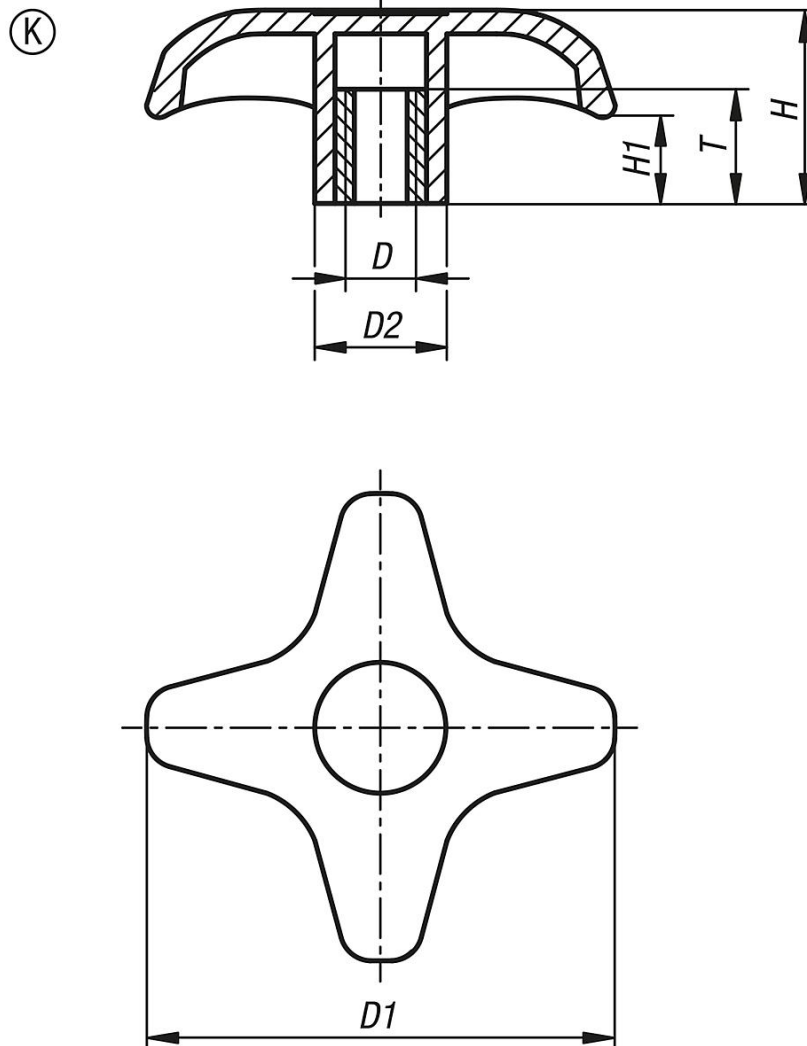
#### Version:

Body and coating black.  
Bush and screw electro zinc-plated.

#### Note:

Palm grips with a soft gripping surface combine the stability of standard thermoplastic grips with the pleasant feel of the soft surface.  
The soft coating creates a sympathetic, non-slip surface allowing higher clamping forces while protecting the hand.

### Drawings



**Palm grips soft, Form K****Overview of items**

Order No.	Form	D	D1	D2	H	H1	T
K0613.5108	K	M8	51	15	22	10	13
K0613.5110	K	M10	51	15	22	10	13
K0613.7608	K	M8	76	19,5	28	13,5	20
K0613.7610	K	M10	76	19,5	28	13,5	20
K0613.7612	K	M12	76	19,5	28	13,5	20