

## Star grips similar to DIN 6336

### Item description/product images



### Description

#### Material:

Thermoset PF 31, black.

Bush and screw steel, trivalent blue passivated.

#### Version:

High-gloss polished.

#### Note:

The version K0152.22004 has a brass bush.

#### On request:

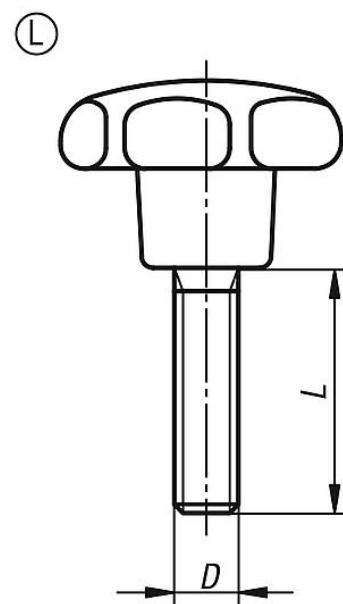
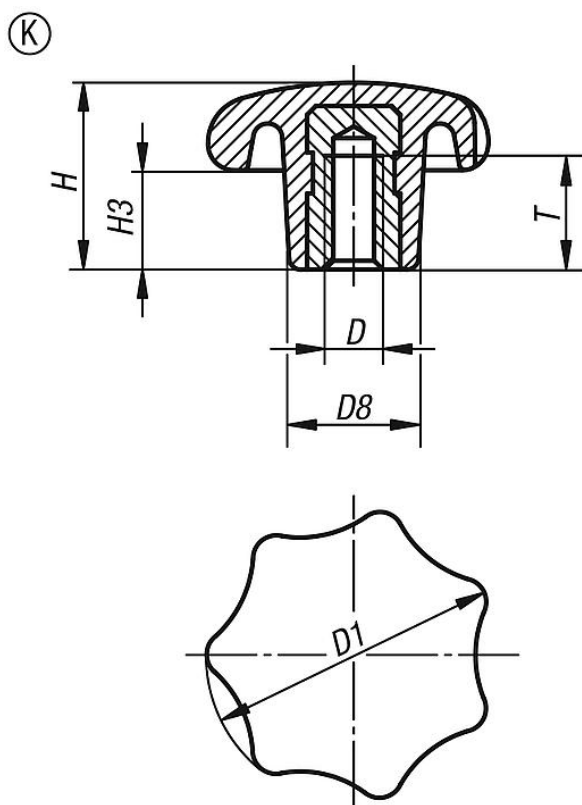
Other colours.

#### Drawing reference:

Form K: tapped bush

Form L: external thread

### Drawings



### Overview of items

Order No.	Form	D	D1	D8	H	H3	L	T
K0152.22004	K	M4	20	10	13	7	-	6,5
K0152.22505	K	M5	25	12	16	8	-	9,5
K0152.23206	K	M6	32	14	20	10	-	12
K0152.24008	K	M8	40	18	25	13	-	14
K0152.25010	K	M10	50	22	32	17	-	18
K0152.26312	K	M12	63	26	40	21	-	22

## Star grips similar to DIN 6336

## Overview of items

Order No.	Form	D	D1	D8	H	H3	L	T
K0152.28016	K	M16	80	35	50	25	-	30
K0152.42505X15	L	M5	25	12	16	8	15	-
K0152.42505X20	L	M5	25	12	16	8	20	-
K0152.42505X25	L	M5	25	12	16	8	25	-
K0152.43206X15	L	M6	32	14	20	10	15	-
K0152.43206X20	L	M6	32	14	20	10	20	-
K0152.43206X25	L	M6	32	14	20	10	25	-
K0152.43206X30	L	M6	32	14	20	10	30	-
K0152.44008X20	L	M8	40	18	25	13	20	-
K0152.44008X25	L	M8	40	18	25	13	25	-
K0152.44008X30	L	M8	40	18	25	13	30	-
K0152.44008X35	L	M8	40	18	25	13	35	-
K0152.44008X40	L	M8	40	18	25	13	40	-
K0152.45010X25	L	M10	50	22	32	17	25	-
K0152.45010X30	L	M10	50	22	32	17	30	-
K0152.45010X35	L	M10	50	22	32	17	35	-
K0152.45010X40	L	M10	50	22	32	17	40	-
K0152.45010X50	L	M10	50	22	32	17	50	-
K0152.46312X30	L	M12	63	26	40	21	30	-
K0152.46312X35	L	M12	63	26	40	21	35	-
K0152.46312X40	L	M12	63	26	40	21	40	-
K0152.46312X50	L	M12	63	26	40	21	50	-
K0152.46312X60	L	M12	63	26	40	21	60	-
K0152.48016X30	L	M16	80	35	50	25	30	-
K0152.48016X40	L	M16	80	35	50	25	40	-
K0152.48016X50	L	M16	80	35	50	25	50	-
K0152.48016X60	L	M16	80	35	50	25	60	-