

## Palm grips, similar to DIN 6335, Form G with blind hole

### Item description/product images

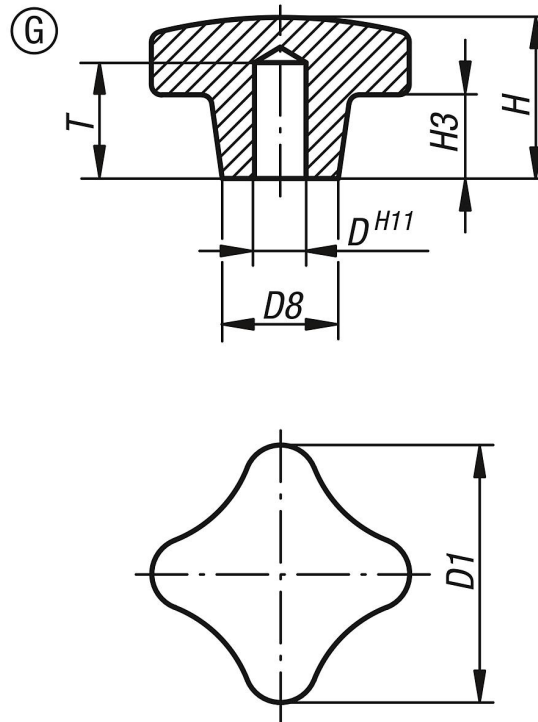


### Description

**Material:**  
Black thermoset PF 31

**Version:**  
High-gloss polished, black.

### Drawings



### Overview of items

Order No.	Form	D	D1	D8	H	H3	T
K0148.405	G	5	25	12	16	8	12
K0148.406	G	6	32	14	20	10	15
K0148.408	G	8	40	18	25	13	18
K0148.410	G	10	50	22	32	20	21
K0148.412	G	12	63	26	40	25	25