

**Palm grips similar to DIN 6335, stainless steel, Form B, drilled through**

Item description/product images



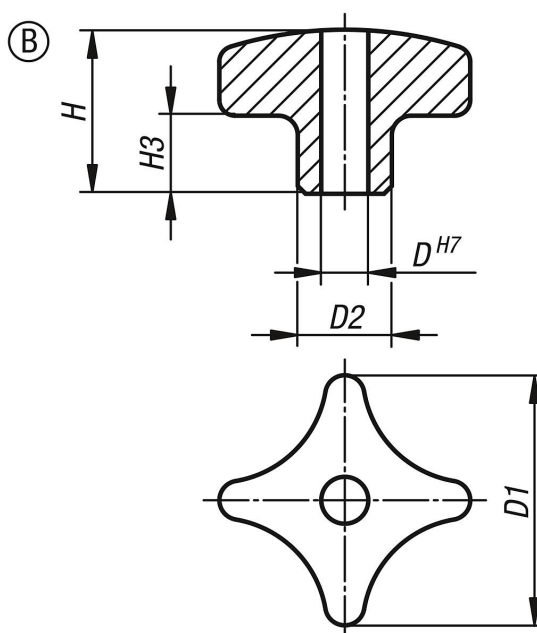
**Description**

**Material:**  
Stainless steel 1.4308.

**Version:**  
Ground and polished or blasted.

**On request:**  
With external thread.

**Drawings**



**Overview of items**

Order No.	Form	Surface finish body	D=bore	D1	D2	H=Height	H3
K0146.2032062	B	polished	6	32	12	21	10
K0146.2040082	B	polished	8	40	14	26	14
K0146.2050102	B	polished	10	50	18	34	20
K0146.2063122	B	polished	12	63	20	42	25
K0146.2032063	B	blasted	6	32	12	21	10
K0146.2040083	B	blasted	8	40	14	26	14
K0146.2050103	B	blasted	10	50	18	34	20
K0146.2063123	B	blasted	12	63	20	42	25