

Triangular grips ergonomic

Item description/product images



Description

Material:

Hard components fibreglass reinforced plastic.
Soft components thermoplastic elastomer.
Bush or screw, steel grade 5.8 or stainless steel 1.4305.

Version:

Steel trivalent blue passivated.
Stainless steel, bright.

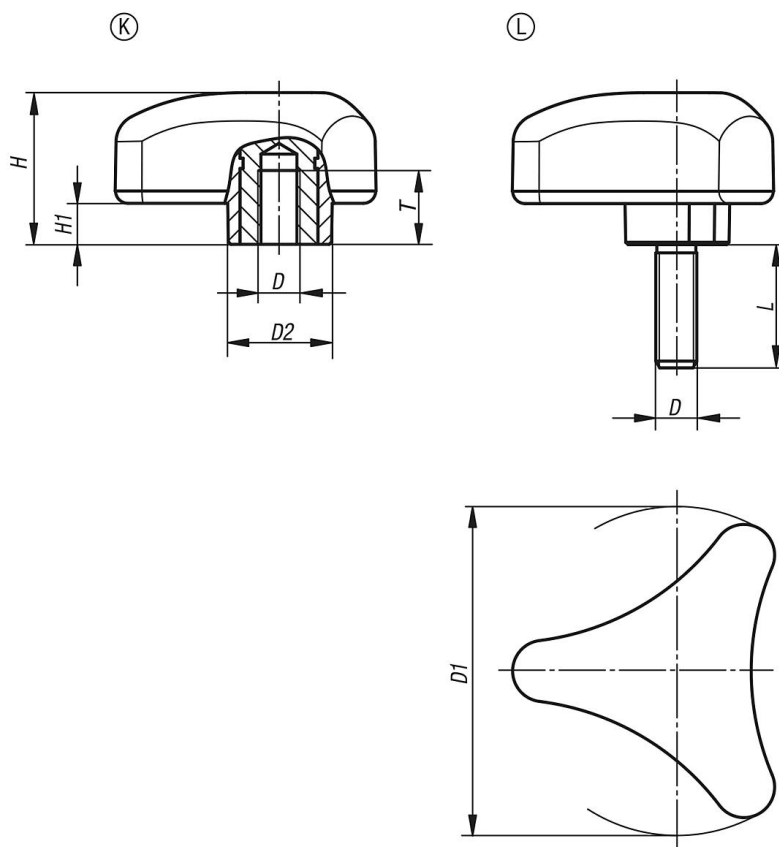
Note:

The colour combination
black grey RAL 7021 (hard components) and
black grey RAL 7021 (soft components)
are supplied as standard.

On request:

Other versions.

Drawings



Overview of items

