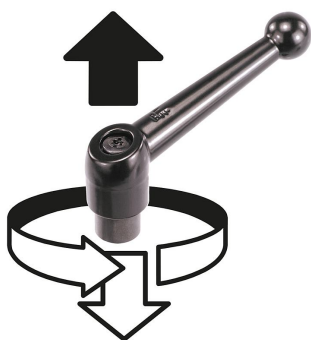


Clamping levers, die-cast zinc with internal thread, threaded insert stainless steel

Item description/product images



lift to
disengage



Description

Material:

Handle die-cast zinc DIN EN 12844.
Steel parts stainless steel 1.4305.

Version:

Handle powder-coated.
Stainless steel parts bright.

Note:

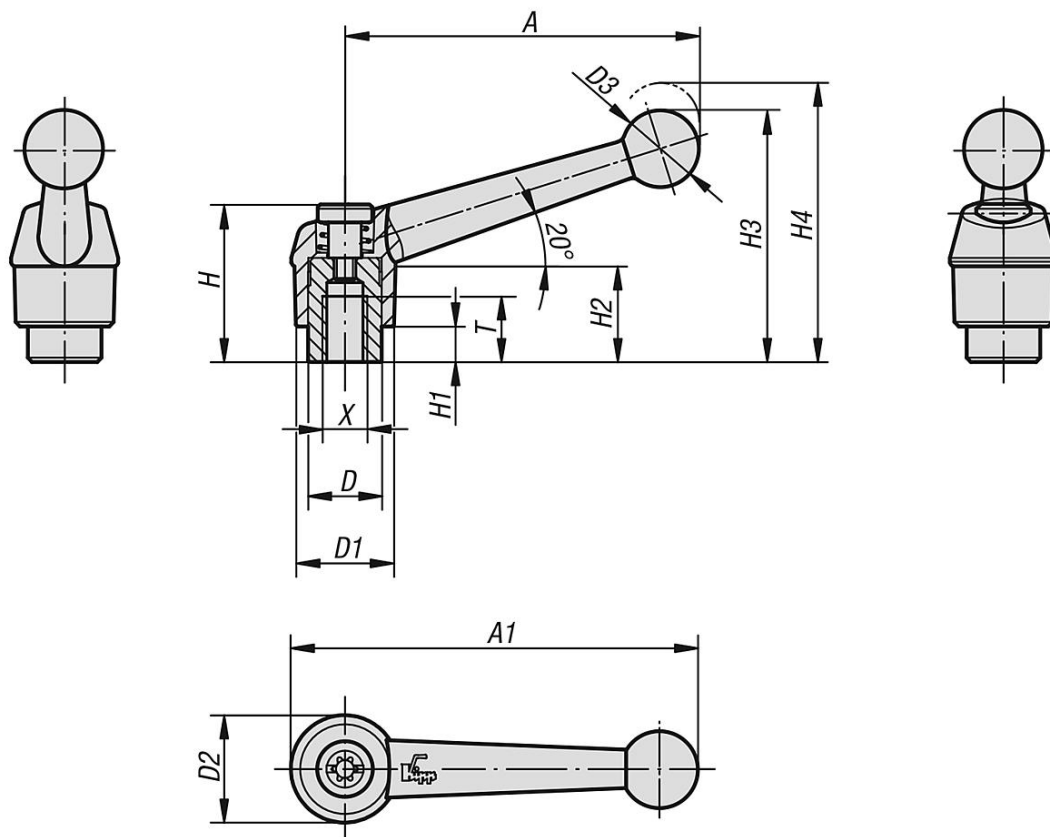
Standard colours are:
black satin finish, silver metallic.

On request:

Other threads, colours and special versions.
Dimension "H1" available in other lengths at extra charge.

Clamping levers, die-cast zinc with internal thread, threaded insert stainless steel

Drawings



Overview of items

Clamping levers with internal thread, steel parts stainless steel

Order No.	Main colour	Size	X	T	D	D1	D2	D3	H	H1	H2	H3	H4	A	A1	No. of teeth
K0117.1041	black	1	M4	9	10	13	14	10,5	24,5	4	15	32,5	35,5	39	46	16
K0117.1051	black	1	M5	9	10	13	14	10,5	24,5	4	15	32,5	35,5	39	46	16
K0117.1061	black	1	M6	9	10	13	14	10,5	24,5	4	15	32,5	35,5	39	46	16
K0117.2061	black	2	M6	12	13,5	18	18,5	15,5	28,5	6,5	16,5	45,5	49,5	64	73	20
K0117.2081	black	2	M8	12	13,5	18	18,5	15,5	28,5	6,5	16,5	45,5	49,5	64	73	20
K0117.3081	black	3	M8	14	16	21	22	17	37	10	23	57,5	61,5	79	90	22
K0117.3101	black	3	M10	14	16	21	22	17	37	10	23	57,5	61,5	79	90	22
K0117.4101	black	4	M10	17	19	25	26	19	42,5	10	26	67	72	95	108	24
K0117.4121	black	4	M12	17	19	25	26	19	42,5	10	26	67	72	95	108	24
K0117.5121	black	5	M12	23	23	30	31	22	49	12	32	79	84	110	126	26
K0117.5161	black	5	M16	23	23	30	31	22	49	12	32	79	84	110	126	26
K0117.1043	silver metallic	1	M4	9	10	13	14	10,5	24,5	4	15	32,5	35,5	39	46	16
K0117.1053	silver metallic	1	M5	9	10	13	14	10,5	24,5	4	15	32,5	35,5	39	46	16
K0117.1063	silver metallic	1	M6	9	10	13	14	10,5	24,5	4	15	32,5	35,5	39	46	16
K0117.2063	silver metallic	2	M6	12	13,5	18	18,5	15,5	28,5	6,5	16,5	45,5	49,5	64	73	20
K0117.2083	silver metallic	2	M8	12	13,5	18	18,5	15,5	28,5	6,5	16,5	45,5	49,5	64	73	20
K0117.3083	silver metallic	3	M8	14	16	21	22	17	37	10	23	57,5	61,5	79	90	22
K0117.3103	silver metallic	3	M10	14	16	21	22	17	37	10	23	57,5	61,5	79	90	22
K0117.4103	silver metallic	4	M10	17	19	25	26	19	42,5	10	26	67	72	95	108	24
K0117.4123	silver metallic	4	M12	17	19	25	26	19	42,5	10	26	67	72	95	108	24
K0117.5123	silver metallic	5	M12	23	23	30	31	22	49	12	32	79	84	110	126	26
K0117.5163	silver metallic	5	M16	23	23	30	31	22	49	12	32	79	84	110	126	26

**Clamping levers, die-cast zinc with internal thread, threaded insert
stainless steel**

Overview of items

