

Toggle clamps push-pull with mounting bracket

Item description/product images



Description

Material:

Steel or stainless steel.

Version:

Trivalent passivated.

Connecting rod and thrust screw phosphated.

Stainless steel bright.

Plastic grip oil-resistant.

Note:

As the push-pull toggle clamps lock in open and closed handle positions, they can be used to clamp when pushing or pulling.

The fastening nut supplied allows the clamps to be mounted in any desired position.

A neoprene pressure pad is supplied with version K0085.0100.

Versions K0085.0100N, K0085.0200N and K0085.0400N are supplied without mounting bracket.

Accessory:

K0100

K0101

K0102

K0103

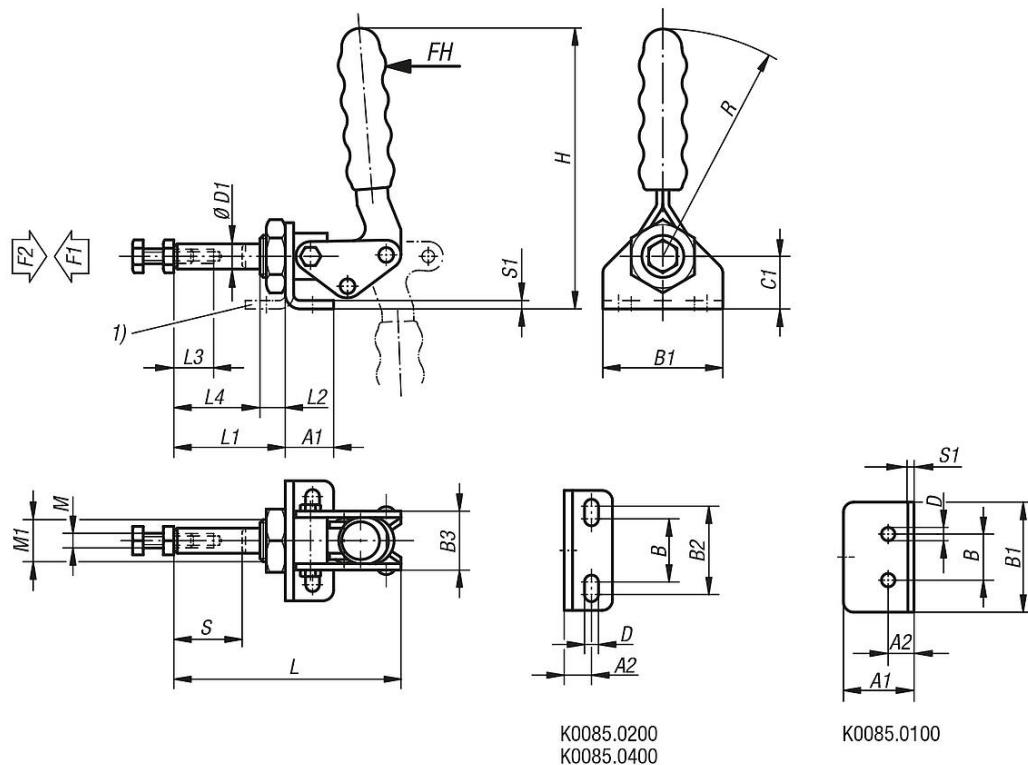
K0106

Drawing reference:

1) By version K0085.0400, the bracket must be mounted in the direction of the push rod.

Toggle clamps push-pull with mounting bracket

Drawings



Overview of items

Toggle clamps push-pull with mounting bracket

Order No.	Main material	Opening angle of handle	Hand force FH N	Retaining force F2 N	Clamping force F1 N	Matching plastic grip
K0085.0100	steel	190°	40	1000	500	K0100.22
K0085.0200	steel	190°	50	2000	2000	K0100.28
K0085.0400	steel	190°	150	4000	2500	K0100.30
K0085.0100N	stainless steel	190°	40	1000	500	K0100.22
K0085.0200N	stainless steel	190°	50	2000	2000	K0100.28
K0085.0400N	stainless steel	190°	150	4000	2500	K0100.30

Order No.	Main material	A1	A2	B	B1	B2	B3	C1	D	D1	H	L	L1	L2	L3	L4	M	M1	S1	R	Travel S
K0085.0100	steel	20	13,5	18	44	-	25	28	5,2	10	98	69	34	10	15	23	M6x25	M16x1,5	4	70	20
K0085.0200	steel	23	13	30	57	42	28	34	6,5	12	147	108	53	12	25	41	M8x40	M20x1,5	4	112	40
K0085.0400	steel	30	18	30	64	45	38	30	8,5	16	160	175	88	17	35	71	M10x50	M24x1,5	5	130	68
K0085.0100N	stainless steel	-	-	-	-	-	25	26	-	10	-	69	34	10	15	23	M6x25	M16x1,5	-	70	-
K0085.0200N	stainless steel	-	-	-	-	-	28	25	-	12	-	108	53	12	25	41	M8x40	M20x1,5	-	112	40
K0085.0400N	stainless steel	-	-	-	-	-	38	30	-	16	-	175	88	17	35	71	M10x50	M24x1,5	-	130	68